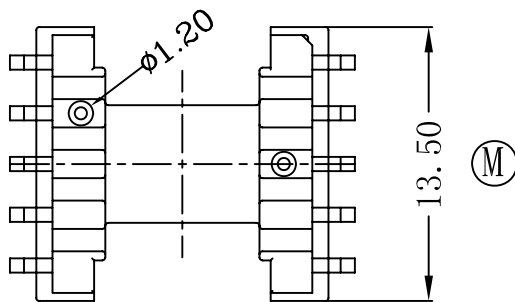
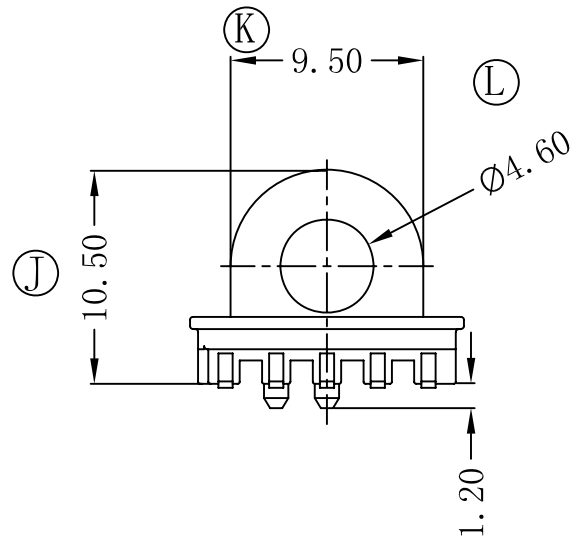
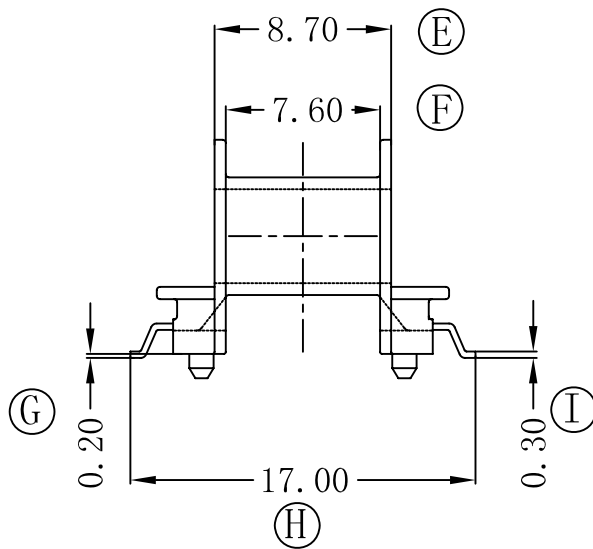
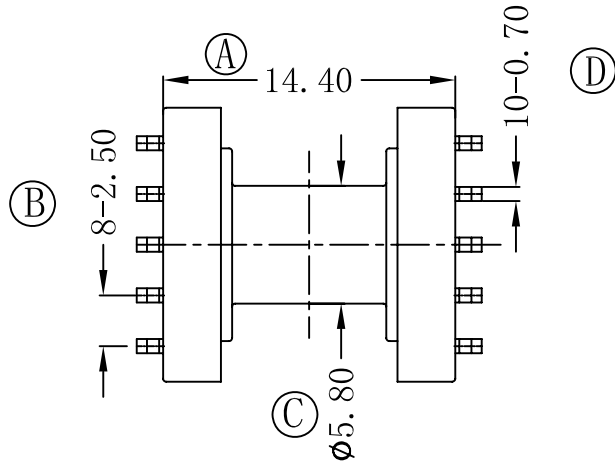


型号

EP-1311S-1



REV	DATE	REVISIONS REC

深圳市捷达成电子有限公司

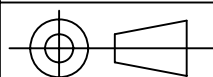
SHENZHEN JIE DA CHENG ELECTRONICS CO.,LTD.

TEL:0755-27317730 FAX:0755-27317731

ANGLE:
+/-1°

UNIT:
MM

SCALE:
4/1



MODEL NAME:
EP-1311S-1 5+5PIN

UL REC: UL 94V-0
BOBBIN MATERIAL: LCP-E4008

PIN TENSION LOAD: 1.0KG MIN
PIN MATERIAL: PHOSPHOR BRONZE

DATE: 2009-09-09
DRAWING NO: EP-1311S-1
REV: 1.0

DRAFTER L.R.J

CHECKER Y.F.

TOLERANCE

0<L<4 ±0.1
4<L<16 ±0.2
16<L<50 ±0.3
PIN PITCH ±0.2