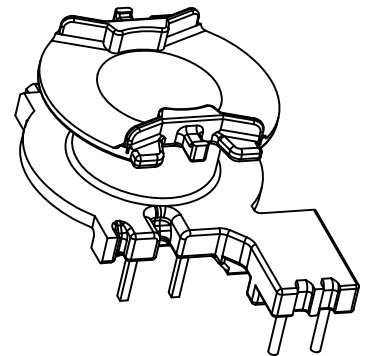
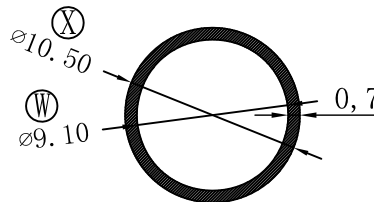
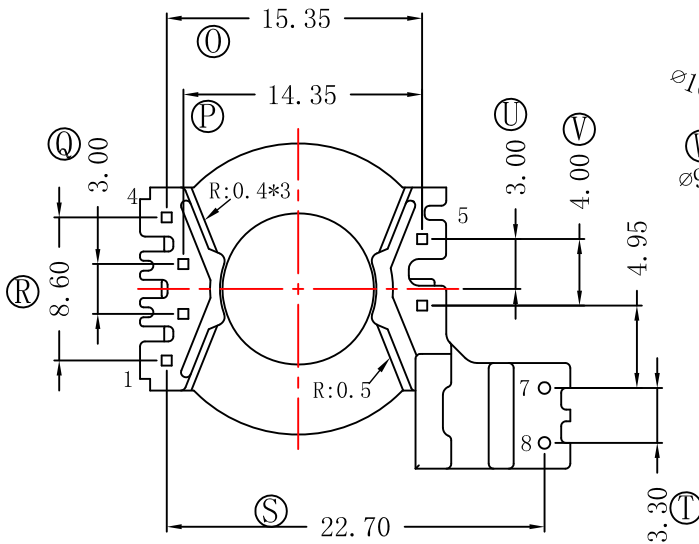
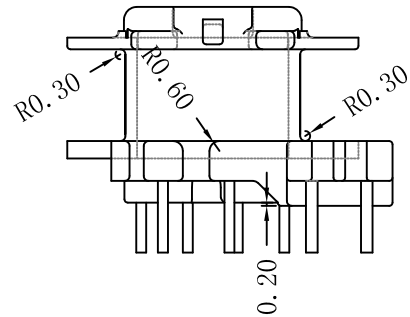
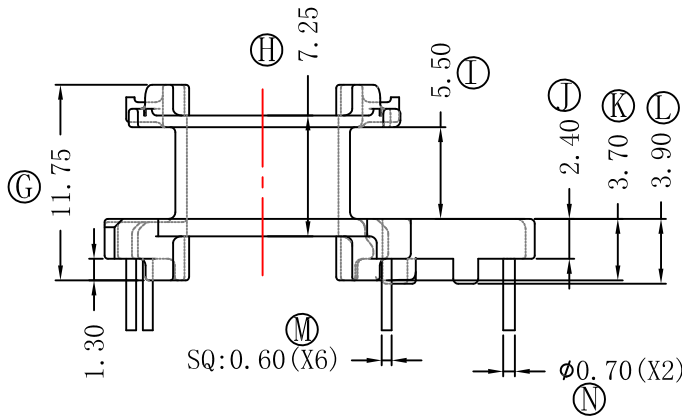
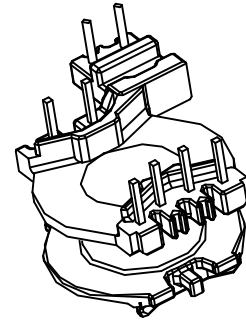
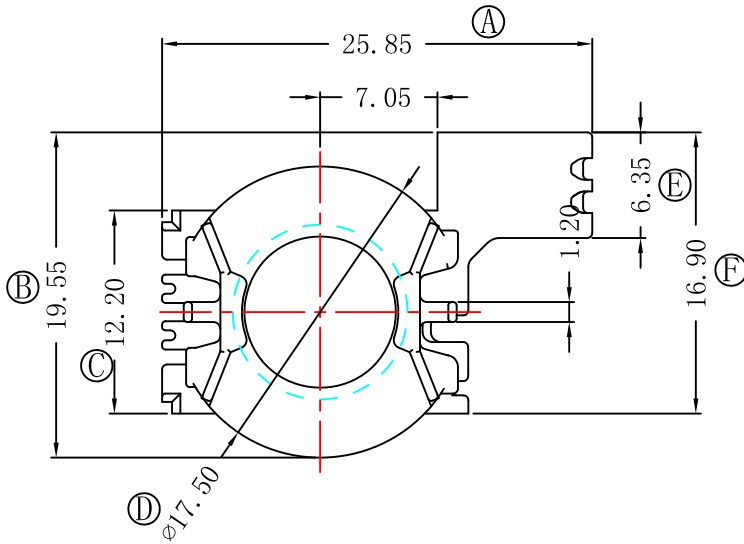


型号

PQ-2040



REV	DATE	REVISIONS REC

深圳市捷达成电子有限公司

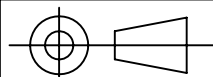
SHANZHEN JIEDACHENG ELECTRONICS CO.,LTD.

TEL:0755-27317730 FAX:0755-27317731

ANGLE:  
+/-1°

UNIT:  
MM

SCALE:  
4/1



MODEL NAME:  
PQ-2040 4+2+2PIN

UL REC:  
UL 94V-0

PIN TENSION LOAD:  
2.0KG MIN

DATE:  
2018-07-15

BOBBIN MATERIAL:  
PM-9820

PIN MATERIAL:  
CP WIRE

DRAWING NO:  
PQ-20

REV:  
1.0

DRAFTER L.R.J

CHECKER Y.F.

TOLERANCE

0<L<4 ±0.1  
4<L<16 ±0.2  
16<L<50 ±0.3  
PIN PITCH ±0.2