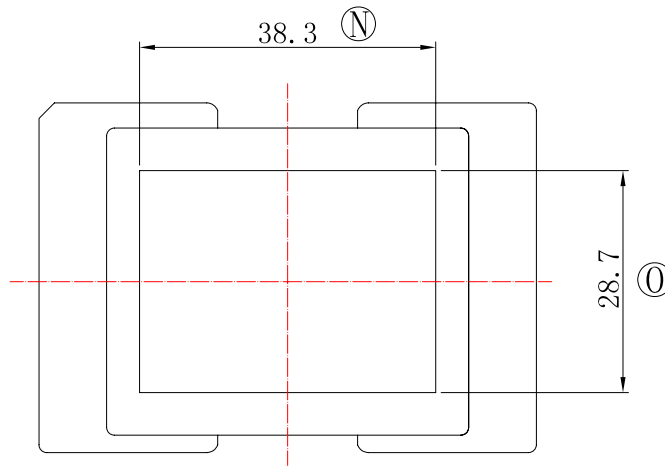
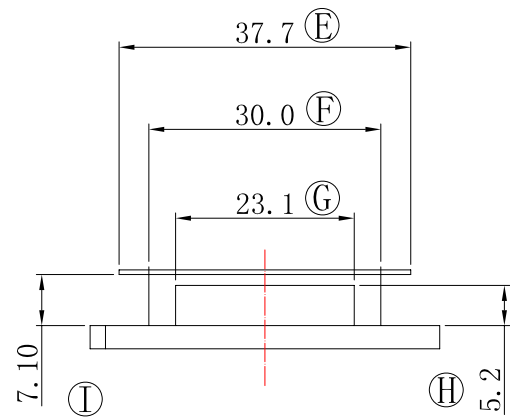
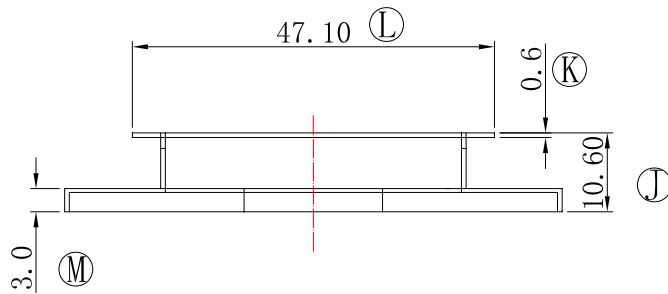
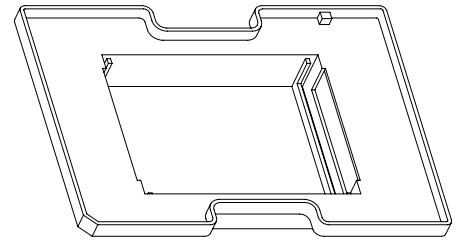
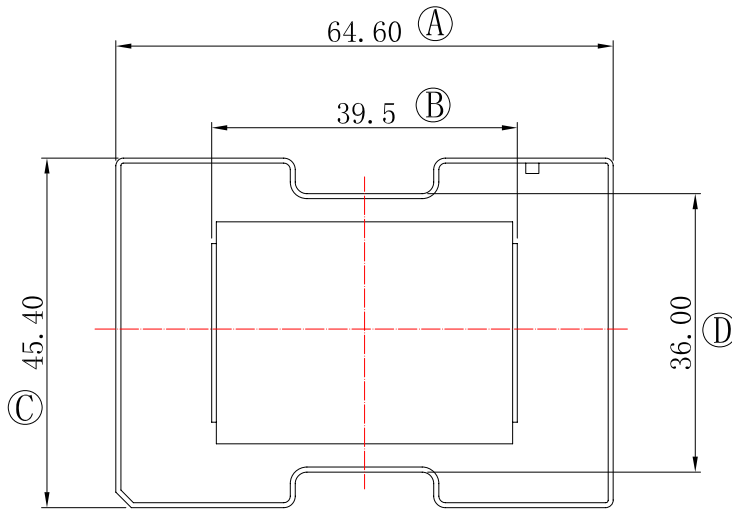


型号

EFD-4550-2



REV	DATE	REVISIONS REC

深圳市捷达成电子有限公司

SHENZHEN JIE DA CHENG ELECTRONICS CO.,LTD.

TEL:0755-27317730 FAX:0755-27317731

ANGLE:
+/-1°

MODEL NAME:
EFD-4550-2 COVER

UNIT:
MM

UL REC:
UL 94V-0

BOBBIN MATERIAL:
LCP

DRAFTER L.R.J

TOLERANCE

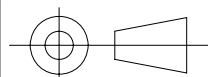
SCALE:
4/1

PIN TENSION LOAD:

PIN MATERIAL:

CHECKER Y.F.

0<L<4 ±0.1
4<L<16 ±0.2
16<L<50 ±0.3
PIN PITCH ±0.2



DATE:
2012-11-08

DRAWING NO:
EFD-4550-2

REV:
1.0