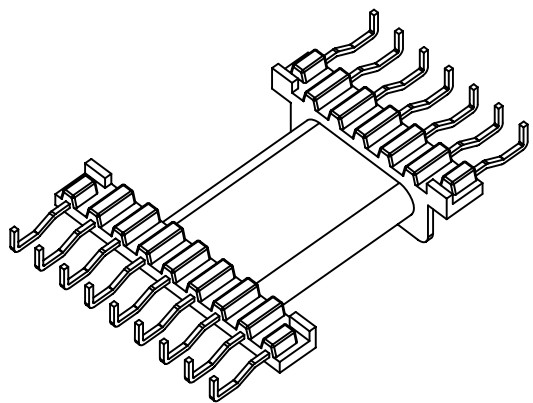
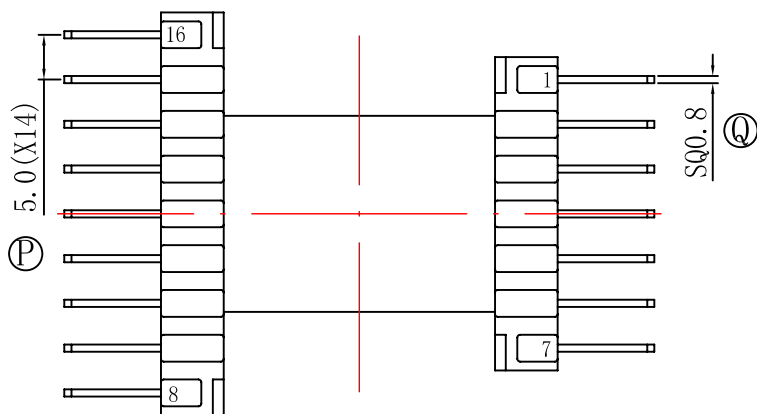
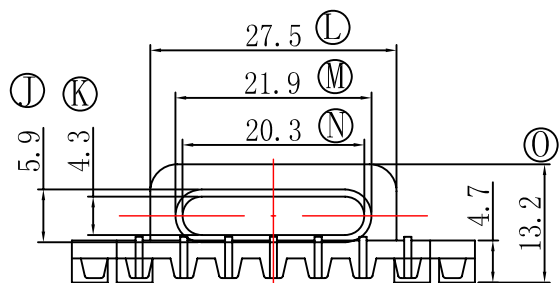
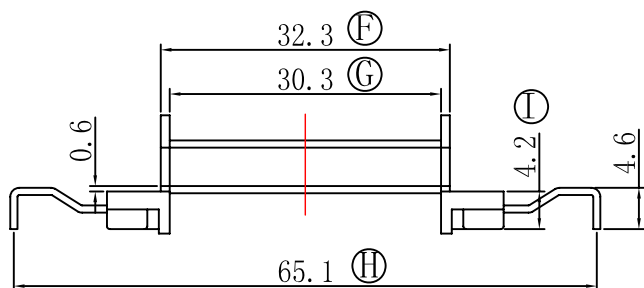
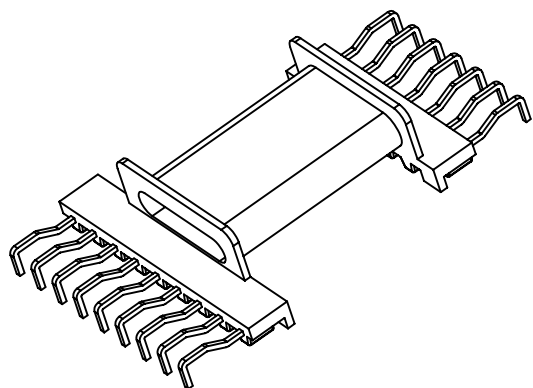
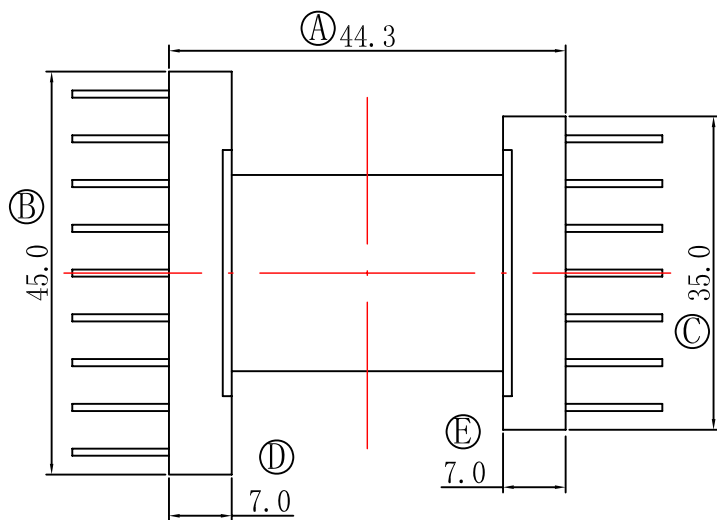


型号

EFD-4004



REV	DATE	REVISIONS REC

深圳市捷达成电子有限公司

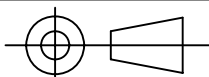
SHENZHEN JIE DA CHENG ELECTRONICS CO.,LTD.

TEL:0755-27317730 FAX:0755-27317731

ANGLE: +/-1°

UNIT: MM

SCALE: 4/1



MODEL NAME: EFD-4004 7+9PIN

UL REC: UL 94V-0

PIN TENSION LOAD: 1.0KG MIN

DATE: 2012-06-25

BOBBIN MATERIAL: PHENOLIC

PIN MATERIAL: CP WIRE

DRAWING NO: EFD-4004

REV: 1.0

DRAFTER

L.R.J

CHECKER

Y.F.

TOLERANCE

0<L<4 ±0.1

4<L<16 ±0.2

16<L<50 ±0.3

PIN PITCH ±0.2