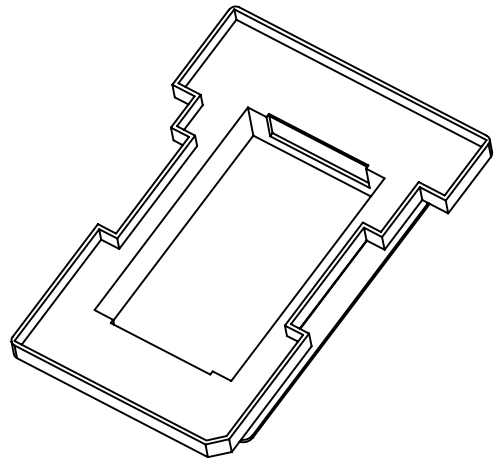
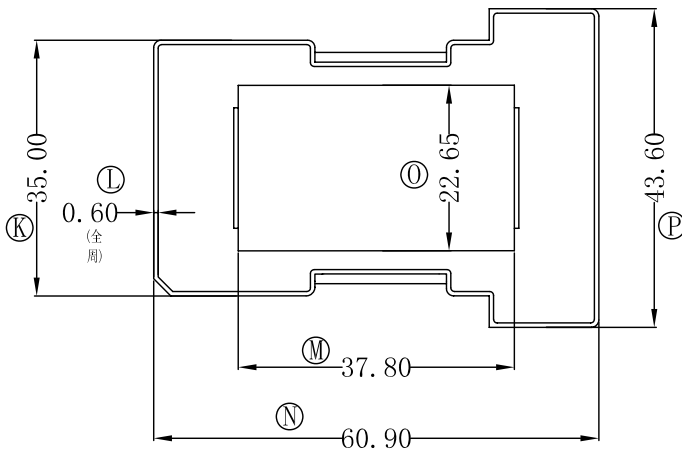
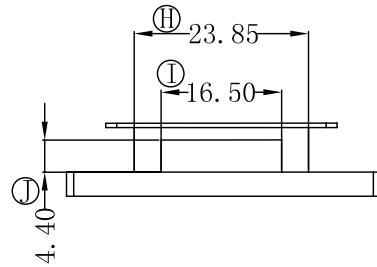
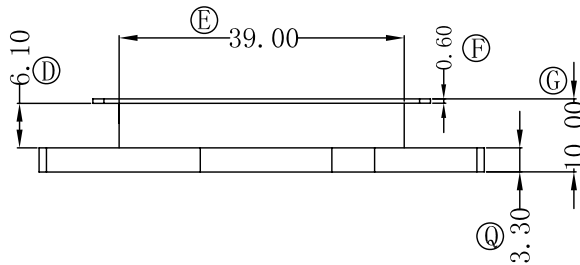
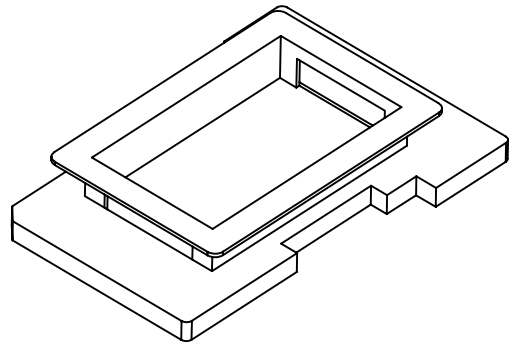
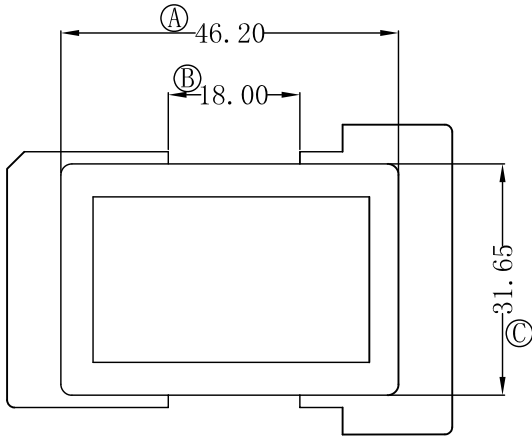


型号	EFD-3550-3
----	------------



REV	DATE	REVISIONS REC

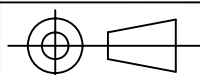
深圳市捷达成电子有限公司

SHENZHEN JIE DA CHENG ELECTRONICS CO.,LTD.
TEL:0755-27317730 FAX:0755-27317731

ANGLE:
+/-1°

UNIT:
MM

SCALE:
4/1



MODEL NAME:
EFD-3550-3 COVER

UL REC:
UL 94V-0

PIN TENSION LOAD:

DATE:
2012-07-19

BOBBIN MATERIAL:
LCP

PIN MATERIAL:

DRAWING NO:
EFD-3550-3

REV:
1.0

DRAFTER L.R.J

CHECKER Y.F.

TOLERANCE

0<L<4 ±0.1
4<L<16 ±0.2
16<L<50 ±0.3
PIN PITCH ±0.2