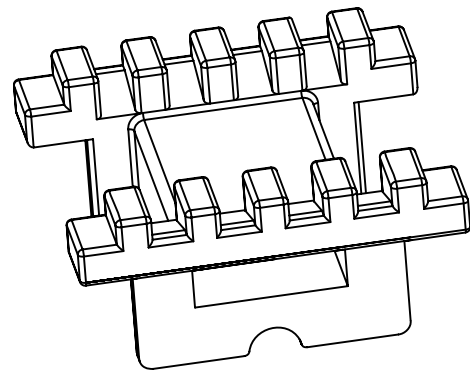
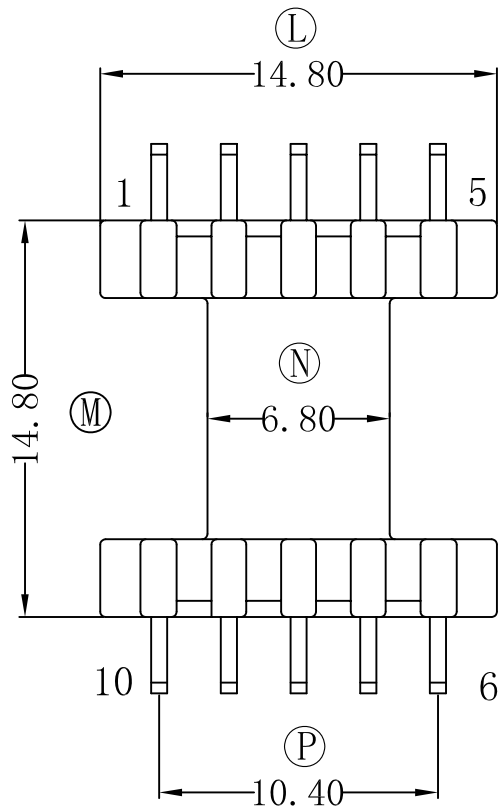
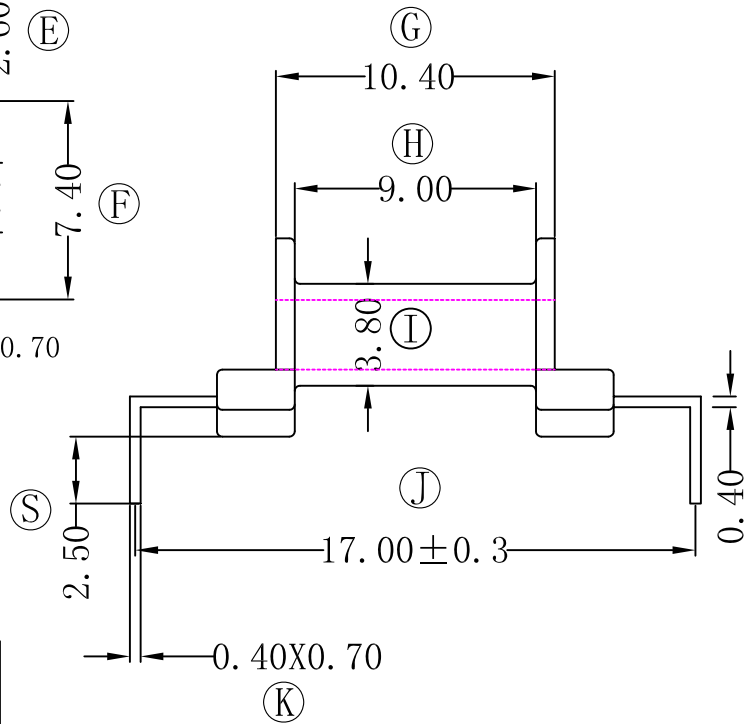
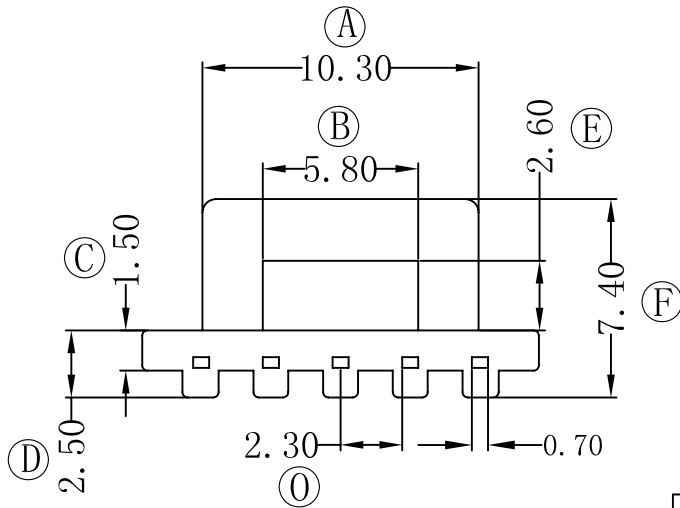


型号

EFD-1508-1



| REV | DATE | REVISIONS REC |
|-----|------|---------------|
| | | |
| | | |
| | | |

深圳市捷达成电子有限公司

SHENZHEN JIE DA CHENG ELECTRONICS CO.,LTD.
 TEL:0755-27317730 FAX:0755-27317731

ANGLE:
 +/-1°

MODEL NAME:
 EFD-1508-1 5+5PIN

UNIT:
 MM

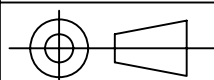
UL REC:
 UL 94V-0

BOBBIN MATERIAL:
 PHENOLIC

SCALE:
 4/1

PIN TENSION LOAD:
 1.0KG MIN

PIN MATERIAL:
 CP WIRE



DATE:
 2013-08-09

DRAWING NO:
 EFD-1508-1

REV:
 1.0

DRAFTER L.R.J

TOLERANCE
 0<L<4 ±0.1
 4<L<16 ±0.2
 16<L<50 ±0.3
 PIN PITCH ±0.2

CHECKER Y.F.