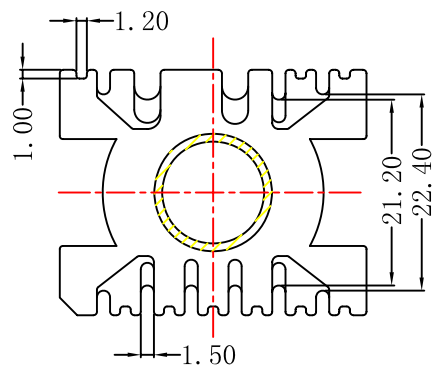
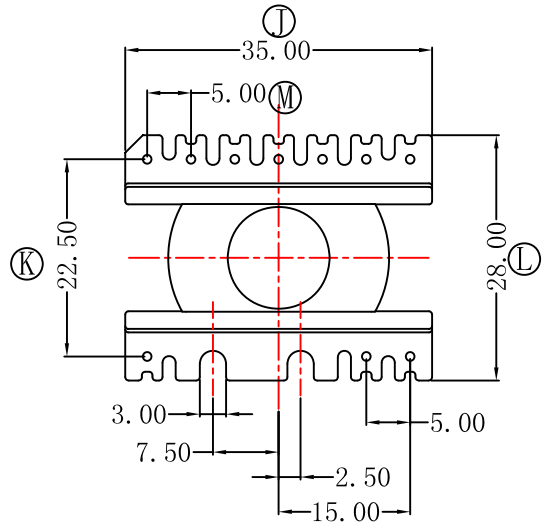
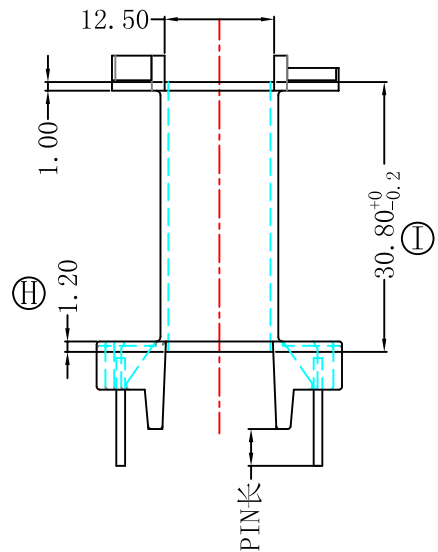
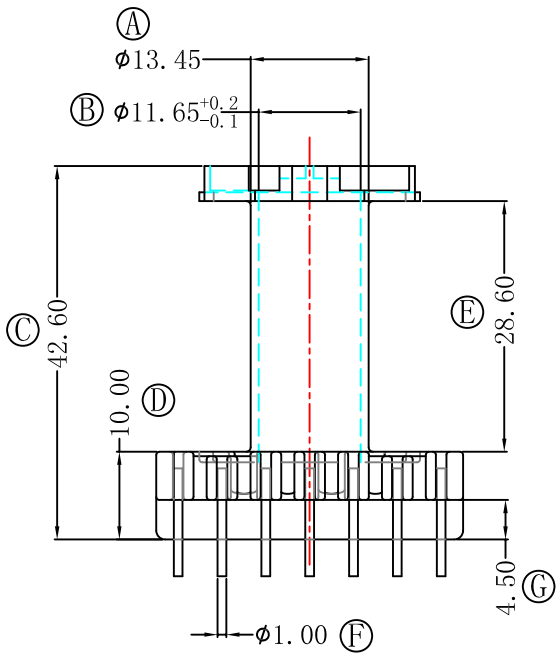
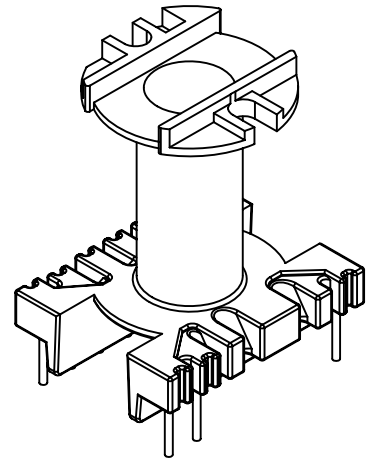
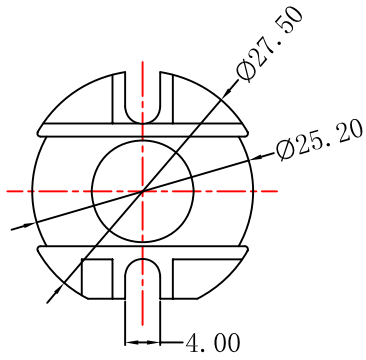


型号

ER-3507



REV	DATE	REVISIONS	REC

深圳市捷达成电子有限公司

SHENZHEN JIE DA CHENG ELECTRONICS CO.,LTD.  
TEL:0755-27317730 FAX:0755-27317731

ANGLE: +/-1°

MODEL NAME: ER-3507 7+3PIN

UNIT: MM

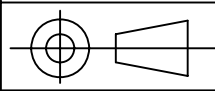
UL REC: UL 94V-0

BOBBIN MATERIAL: PHENOLIC

SCALE: 4/1

PIN TENSION LOAD: 1.5KG MIN

PIN MATERIAL: CP WIRE



DATE: 2014-04-28

DRAWING NO: ER-3507  
REV: 1.0

DRAFTER L.R.J

TOLERANCE	
0<L<4	±0.1
4<L<16	±0.2
16<L<50	±0.3
PIN PITCH	±0.2

CHECKER Y.F.