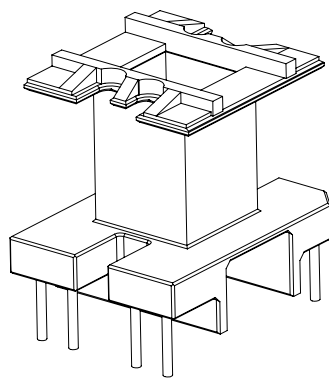
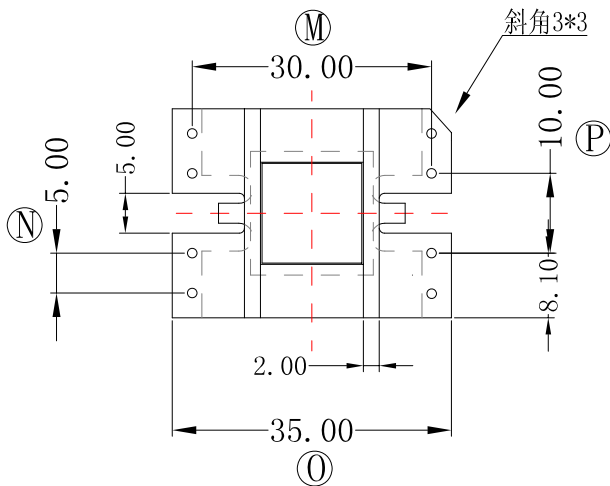
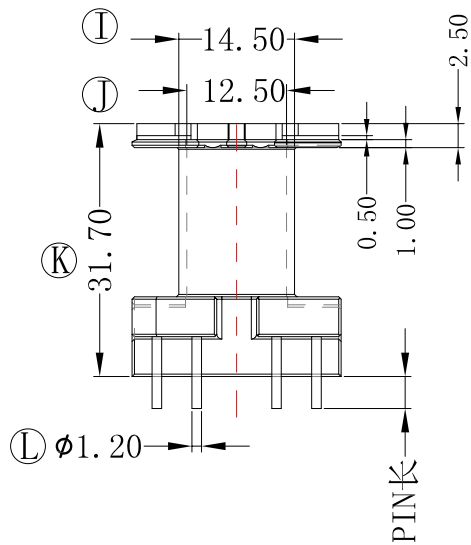
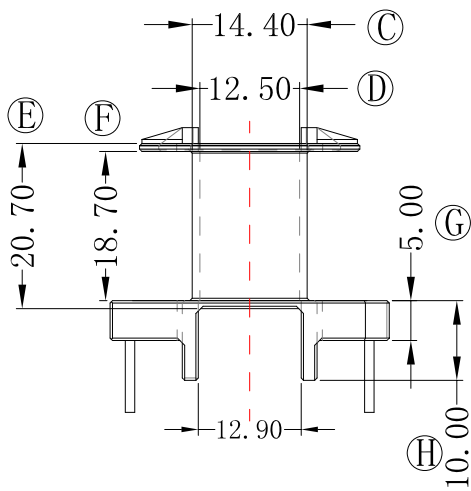
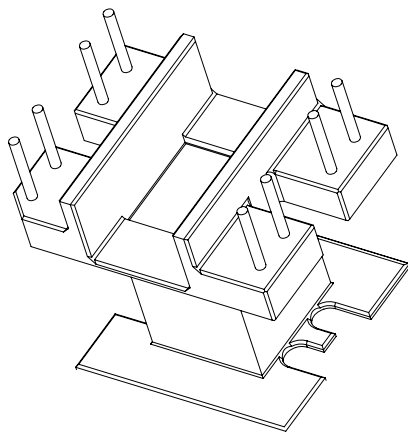
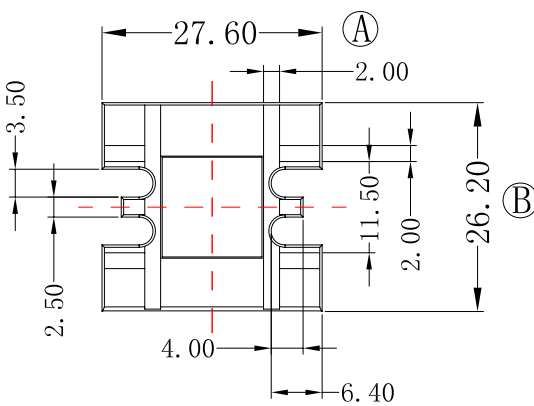


私模

型号

EI-4008



REV	DATE	REVISIONS	REC

深圳市捷达成电子有限公司

SHENZHEN JIE DA CHENG ELECTRONICS CO.,LTD.
TEL:0755-27317730 FAX:0755-27317731

ANGLE: $\pm 1^\circ$ MODEL NAME: EI-4008 (4+4PIN)

UNIT: MM UL REC: UL 94V-0 BOBBIN MATERIAL: PHENOLIC

SCALE: 4/1 PIN TENSION LOAD: 1.0KG MIN PIN MATERIAL: CP WIRE

DATE: 2014-1-14 DRAWING NO: EI-40 REV: 1.0

DRAFTER WANG HENG

TOLERANCE	
0<L<4	±0.1
4<L<16	±0.2
16<L<50	±0.3
PIN PITCH	±0.2

CHECKER Y.F.

