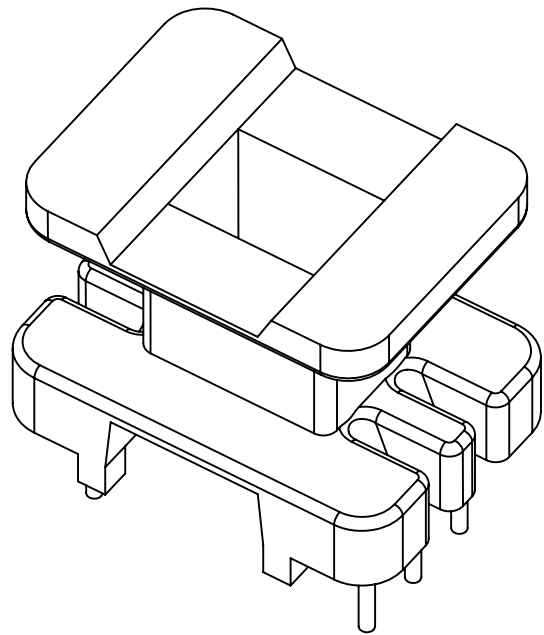
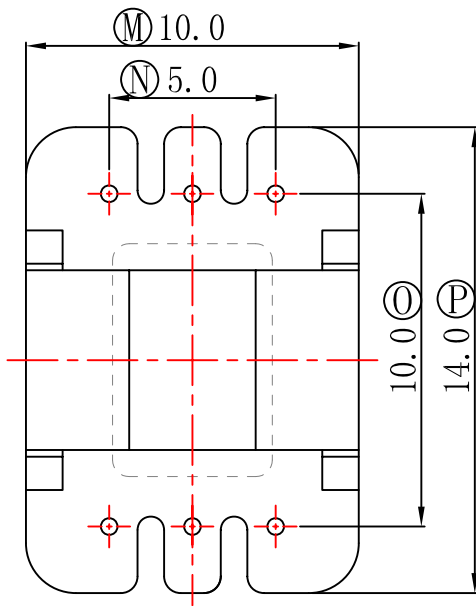
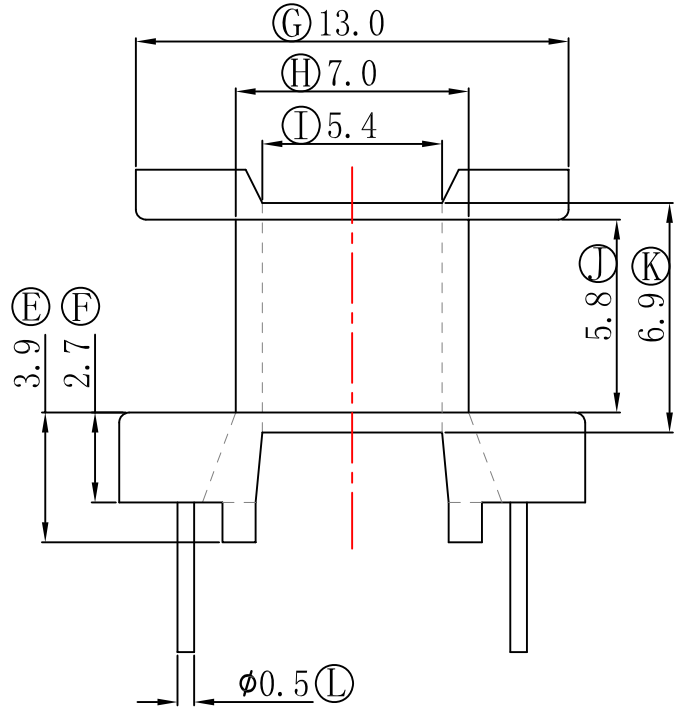
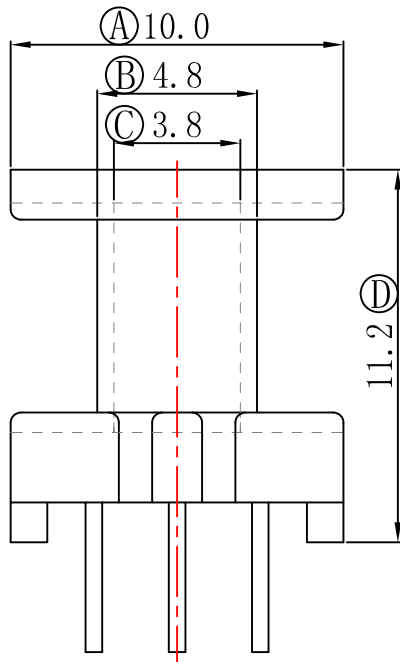


型号

EI-1404



| REV | DATE | REVISIONS REC |
|-----|------|---------------|
| | | |
| | | |
| | | |

深圳市捷达成电子有限公司

SHENZHEN JIE DA CHENG ELECTRONICS CO.,LTD.

TEL:0755-27317730 FAX:0755-27317731

ANGLE:
+/-1°

MODEL NAME:
EI-1404 3+3PIN

UNIT:
MM

UL REC:
UL 94V-0

BOBBIN MATERIAL:
PHENOLIC

DRAFTER L.R.J

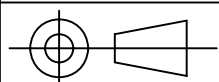
TOLERANCE

SCALE:
4/1

PIN TENSION LOAD:
0.6KG MIN

PIN MATERIAL:
CP WIRE

0<L<4 ±0.1
4<L<16 ±0.2
16<L<50 ±0.3
PIN PITCH ±0.2



DATE:
2014-12-01

DRAWING NO:
EI-1404

REV:
1.0

CHECKER

Y.F.