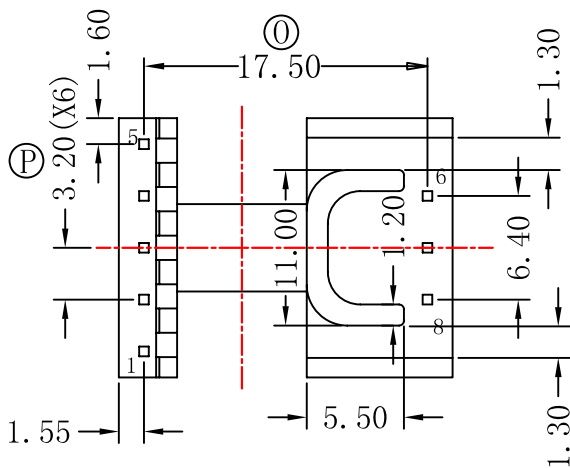
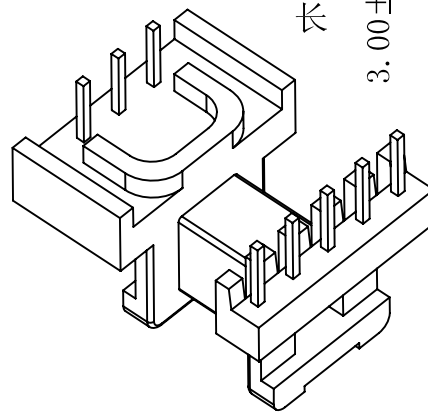
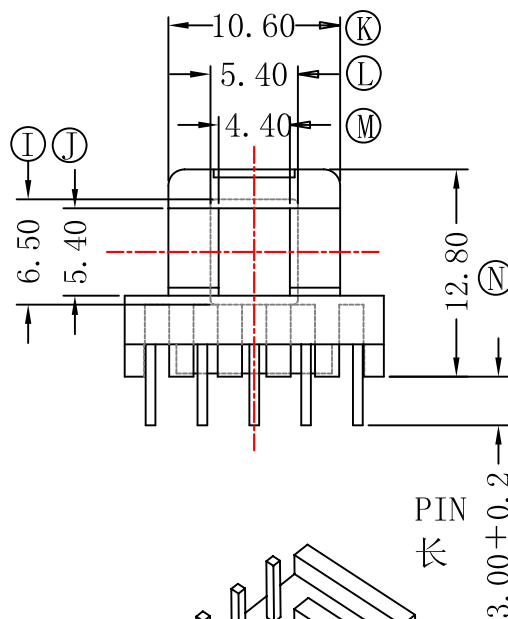
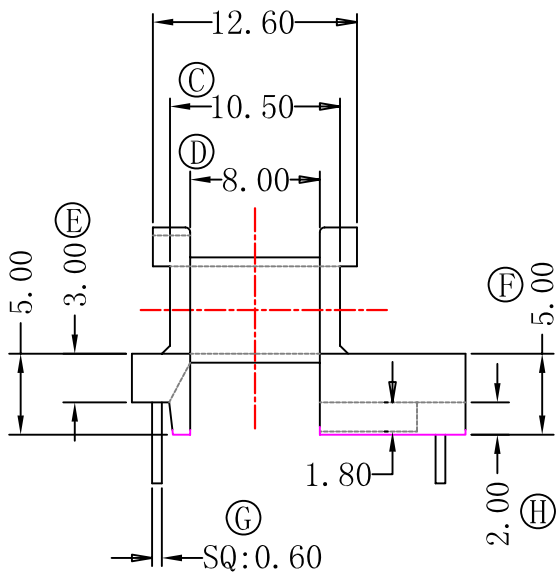
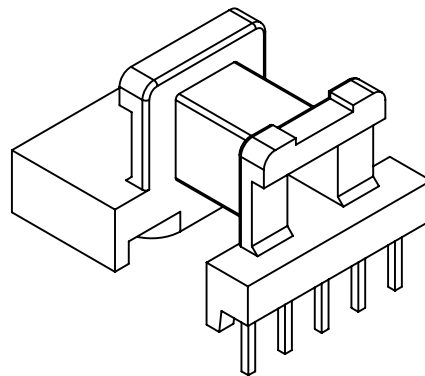
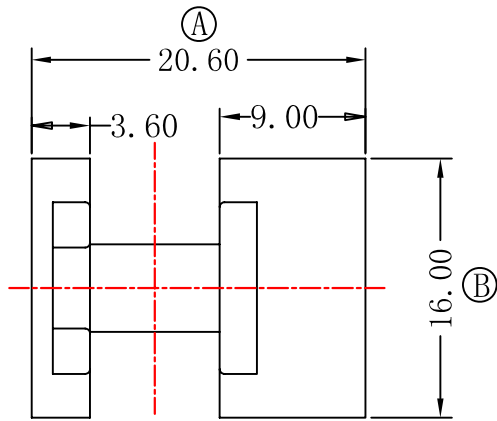


型号

EE-1647



REV	DATE	REVISIONS REC

深圳市捷达成电子有限公司

SHANZHEN JIE DA CHENG ELECTRONICS CO., LTD.
TEL: 0755-27317730 FAX: 0755-27317731

ANGLE:
+/-1°

MODEL NAME:
EE-1647 5+3PIN

UNIT:
MM

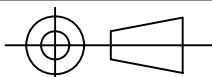
UL REC:
UL 94V-0

BOBBIN MATERIAL:
PM-9820

SCALE:
4/1

PIN TENSION LOAD:
1.0KG MIN

PIN MATERIAL:
CP WIRE



DATE:
2015-12-30

DRAWING NO:
EE-1647

REV:
1.0

DRAFTER L.R.J

TOLERANCE

0<L<4 ±0.1
4<L<16 ±0.2
16<L<50 ±0.3
PIN PITCH ±0.2

CHECKER Y.F.