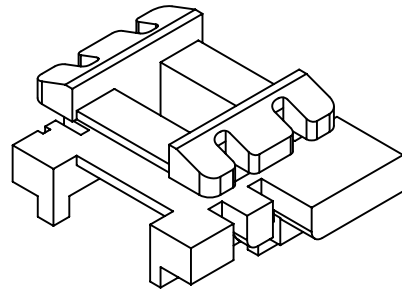
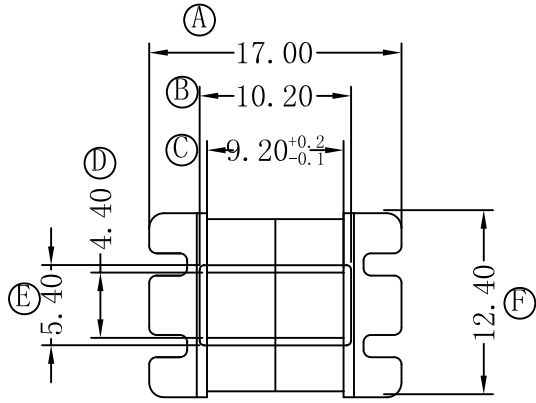
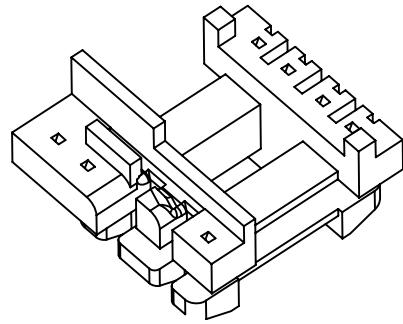
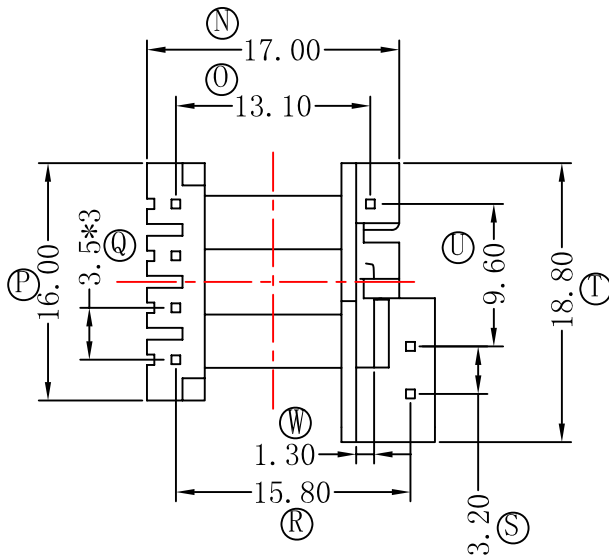
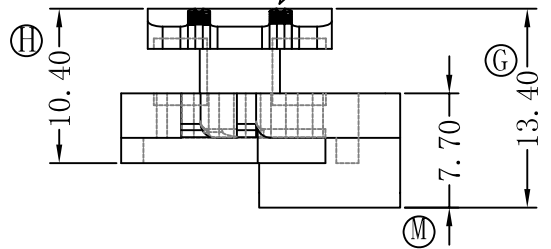
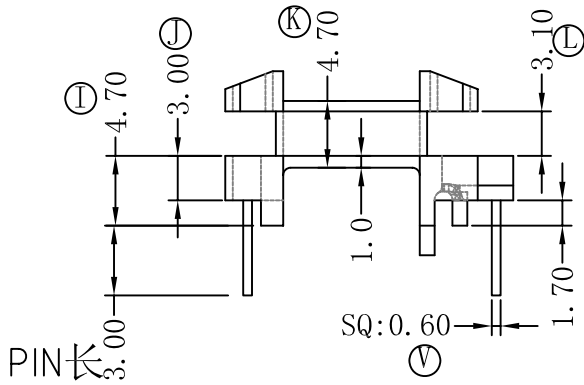


型号

EE-1625-3



顶部飞线槽加胶, 1.0\*1.3\*1.2, 如下图填充块位置



REV	DATE	REVISIONS REC
1	13-02-25	k尺寸由4.5改为4.7
1	13-03-11	M尺寸由6.7改为7.7
1	13-03-11	G尺寸由12.4改为13.4
1	13-03-11	T尺寸由17.8改为18.8

深圳市捷达成电子有限公司

SHENZHEN JIE DA CHENG ELECTRONICS CO.,LTD.  
TEL:0755-27317730 FAX:0755-27317731

ANGLE:  
+/-1°

MODEL NAME:  
EE-1625-3 4+3PIN

UNIT:  
MM

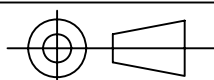
UL REC:  
UL 94V-0

BOBBIN MATERIAL:  
PHENOLIC

SCALE:  
4/1

PIN TENSION LOAD:  
1.0KG MIN

PIN MATERIAL:  
CP WIRE



DATE:  
2013-03-11

DRAWING NO:  
EE-1625-3

REV:  
1.0

DRAFTER L.R.J

TOLERANCE

0<L<4 ±0.1  
4<L<16 ±0.2  
16<L<50 ±0.3  
PIN PITCH ±0.2

CHECKER Y.F.