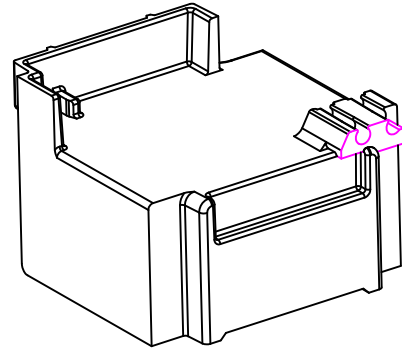
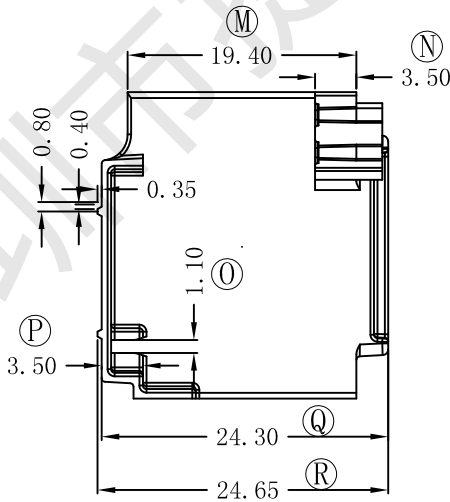
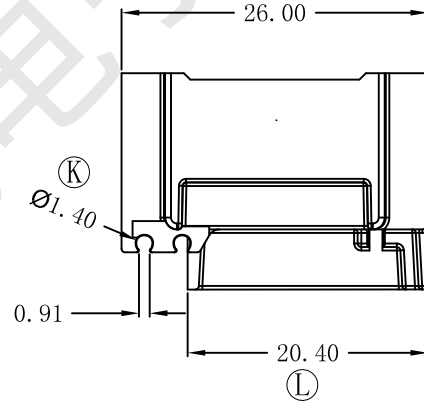
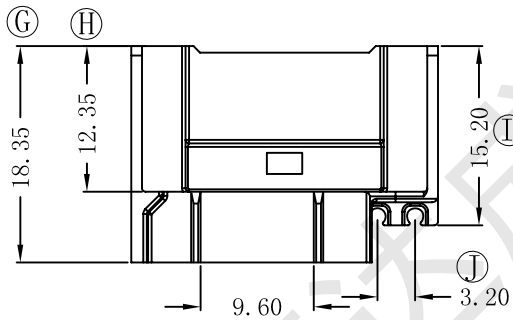
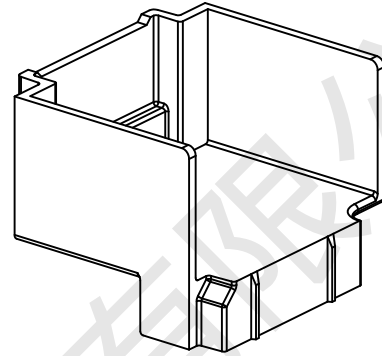
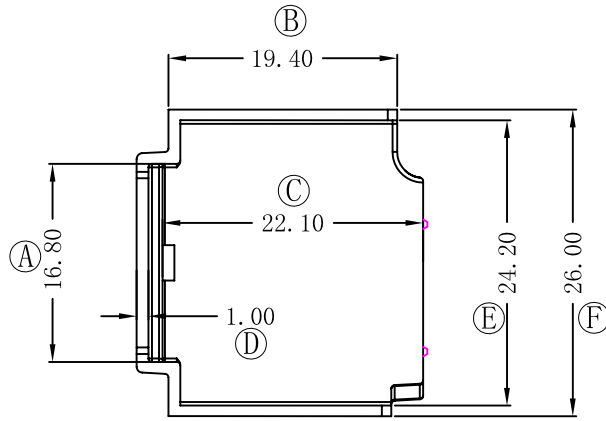


型号

ATQ-2307-1



| REV | DATE   | REVISIONS REC |
|-----|--------|---------------|
| 1   | 23-3-9 | 两个飞线孔边加胶      |
|     |        |               |
|     |        |               |
|     |        |               |

深圳市捷达成电子有限公司

SHANZHEN JIEDACHENG ELECTRONICS CO.,LTD.

TEL:0755-27317730 FAX:0755-27317731

ANGLE:  
+/-1°

MODEL NAME:  
ATQ-2307-1 COVER

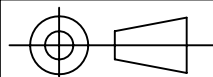
UNIT:  
MM

UL REC:  
UL 94V-0

BOBBIN MATERIAL:  
PBT 5630F

SCALE:  
4/1

PIN TENSION LOAD: PIN MATERIAL:



DATE:  
2022-09-09

DRAWING NO:  
ATQ-23#\*

REV:  
1.0

DRAFTER L.R.J

TOLERANCE  
0<L<4 ±0.1  
4<L<16 ±0.2  
16<L<50 ±0.3  
PIN PITCH ±0.2

CHECKER Y.F.