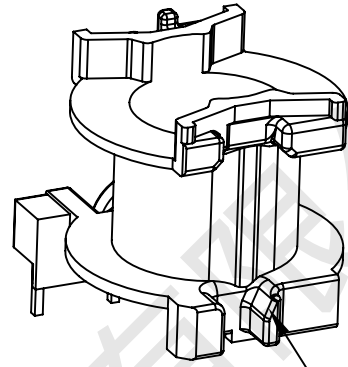
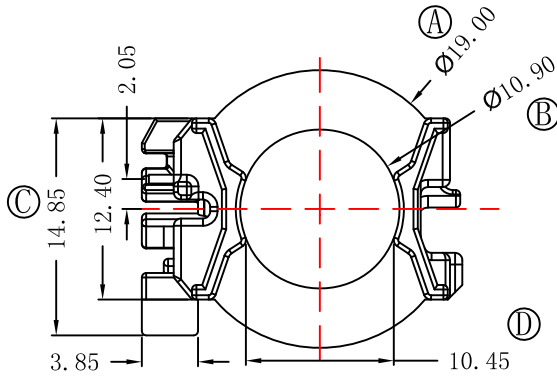
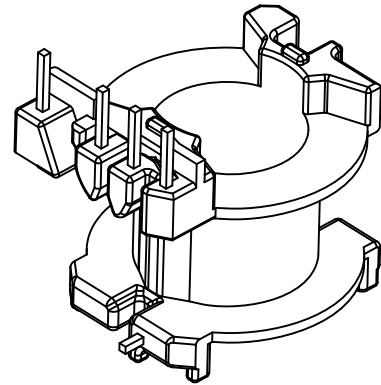
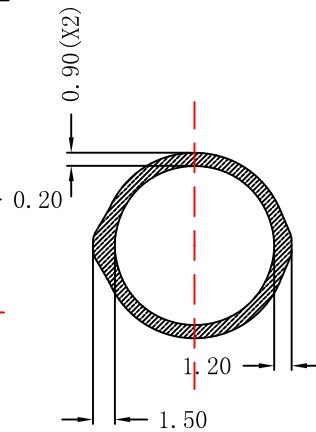
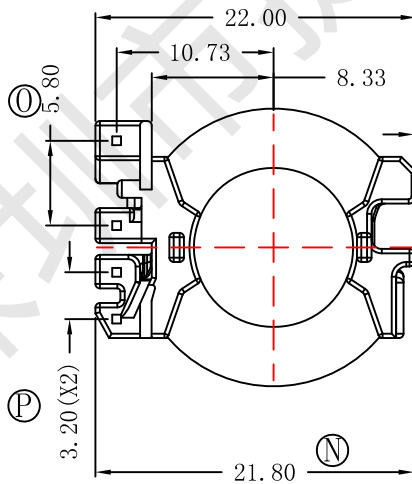
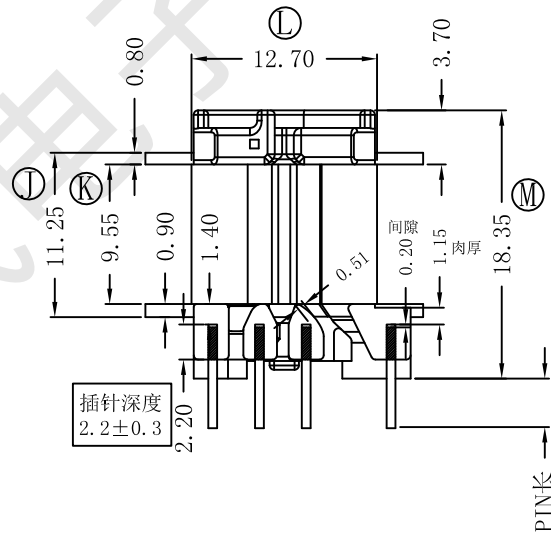
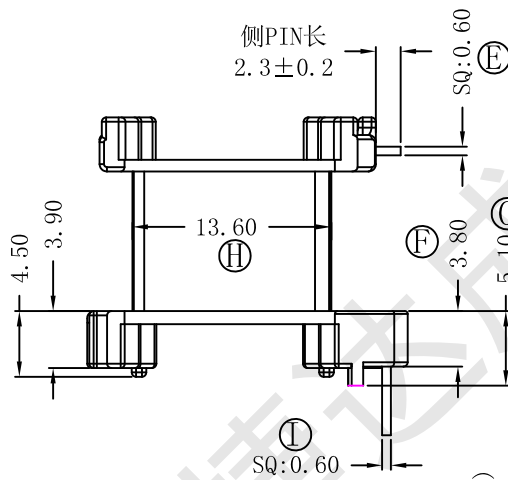


型号

PQ-2306



槽口倒18°×0.8的斜角



REV	DATE	REVISIONS REC
1	21-9-25	挡墙降低0.4, G尺寸改为5.1, M尺寸改为18.35
2	21-10-30	次级起线槽口倒斜角, 1.8°×0.8

深圳市捷达成电子有限公司

SHANZHEN JIEDACHENG ELECTRONICS CO.,LTD.

TEL:0755-27317730 FAX:0755-27317731

ANGLE:
+/-1°

MODEL NAME:

PQ-2306 4+1PIN

UNIT:
MM

UL REC:

UL 94V-0

BOBBIN MATERIAL:

PM-9630

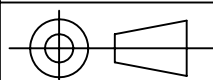
SCALE:
4/1

PIN TENSION LOAD:

2.0KG MIN

PIN MATERIAL:

CP WIRE



DATE:

2021-05-17

DRAWING NO:

PQ-2306

REV:

1.1

DRAFTER

L.R.J

TOLERANCE

0<L<4 ±0.1

4<L<16 ±0.2

16<L<50 ±0.3

PIN PITCH ±0.2

CHECKER

Y.F.