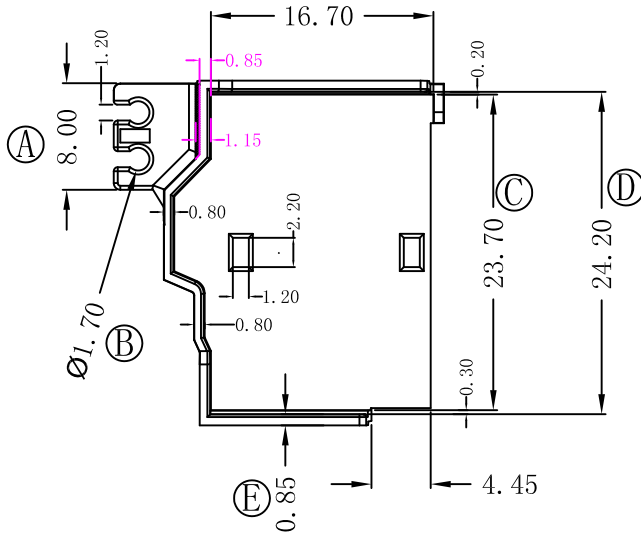
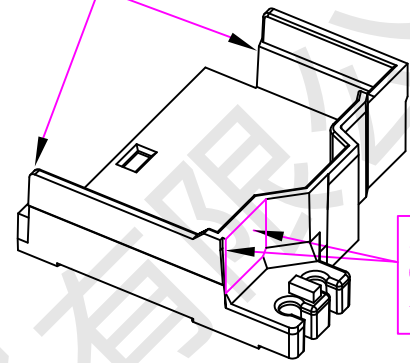


型号

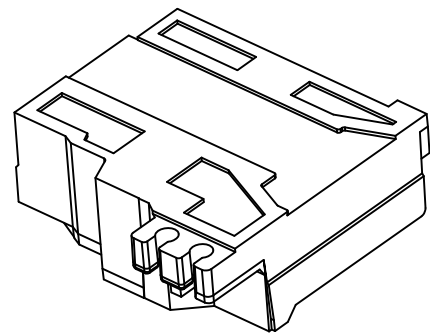
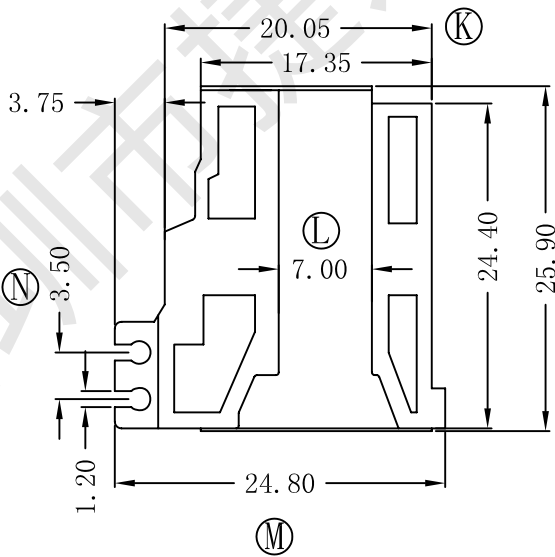
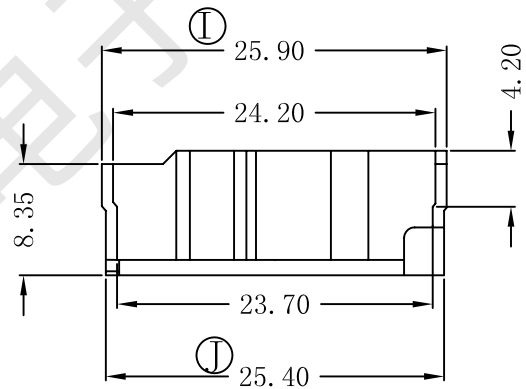
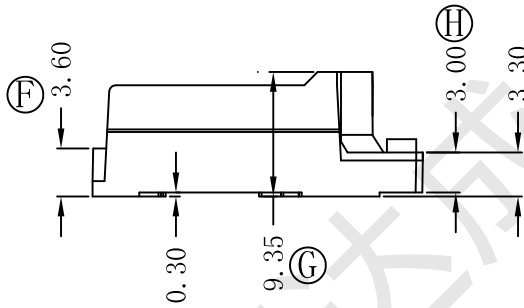
PQ-2306-1



一：增加脱模斜度



二：此面加厚 0.3mm，边上 做一点小斜面



REV	DATE	REVISIONS REC

深圳市捷达成电子有限公司

SHANZHEN JIEDACHENG ELECTRONICS CO.,LTD.

TEL:0755-27317730 FAX:0755-27317731

ANGLE:
+/-1°

MODEL NAME:
PQ-2306-1 COVER

UNIT:
MM

UL REC:
UL 94V-0

BOBBIN MATERIAL:
PBT-5630F

DRAFTER L.R.J

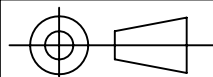
TOLERANCE
0<L<4 ±0.1
4<L<16 ±0.2
16<L<50 ±0.3
PIN PITCH ±0.2

SCALE:
4/1

PIN TENSION LOAD:

PIN MATERIAL:

CHECKER Y.F.



DATE:
2021-11-19

DRAWING NO:
PQ-23 COVER

REV:
1.2