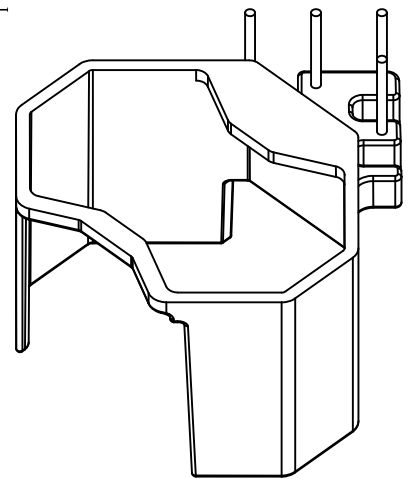
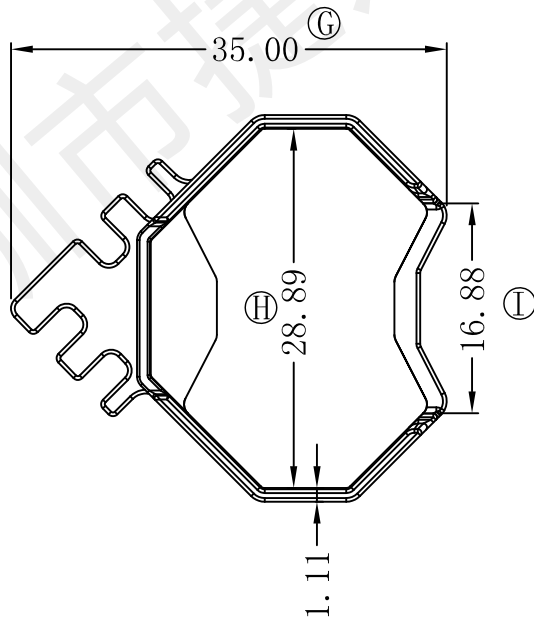
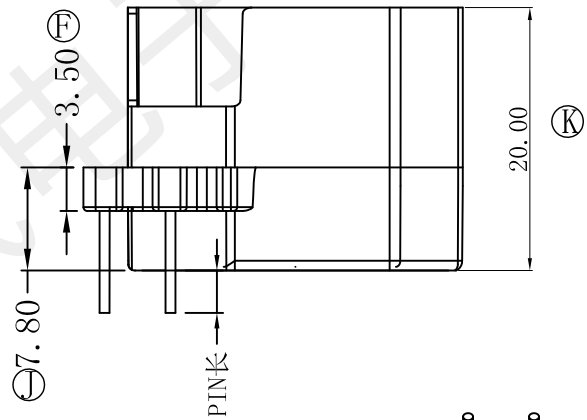
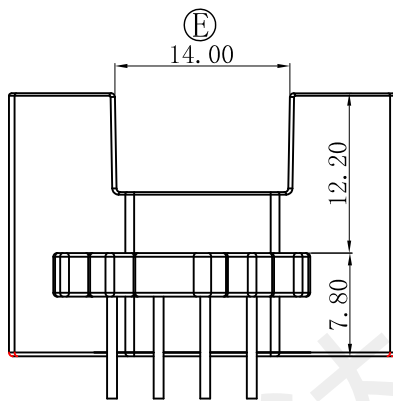
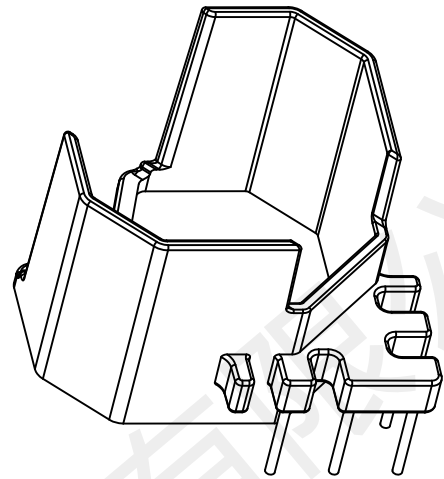
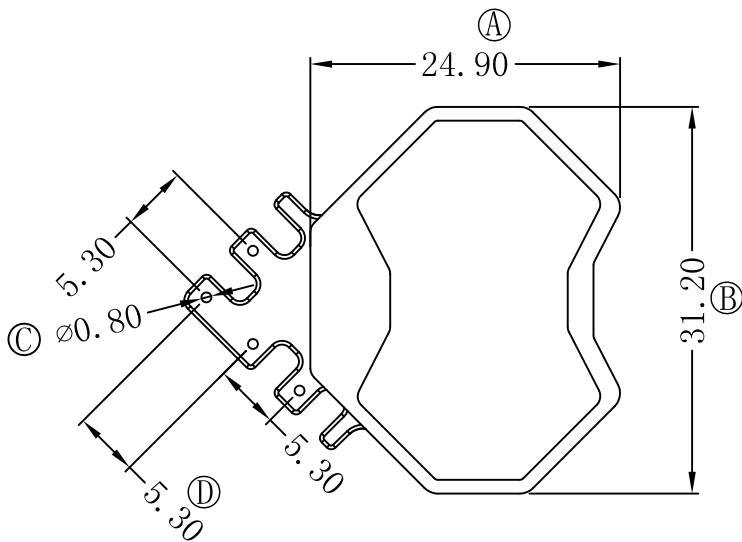


型号

RM-1025-1



REV	DATE	REVISIONS REC
		△

深圳市捷达成电子有限公司

SHENZHEN JIEDACHENG ELECTRONICS CO.,LTD.  
TEL:0755-27317730 FAX:0755-27317731

ANGLE:  
+/-1°

MODEL NAME:  
RM-1025-1 4PIN

UNIT:  
MM

UL REC:  
UL 94V-0

BOBBIN MATERIAL:  
PHENOLIC

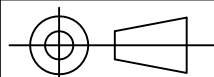
SCALE:  
4/1

PIN TENSION LOAD:  
1.0KG MIN

PIN MATERIAL:  
CP WIRE

DRAFTER L.R.J

TOLERANCE  
0<L<4 ±0.1  
4<L<16 ±0.2  
16<L<50 ±0.3  
PIN PITCH ±0.2



DATE:  
2020-04-25

DRAWING NO:  
RM-10(COVER)

REV:  
1.0

CHECKER Y.F.