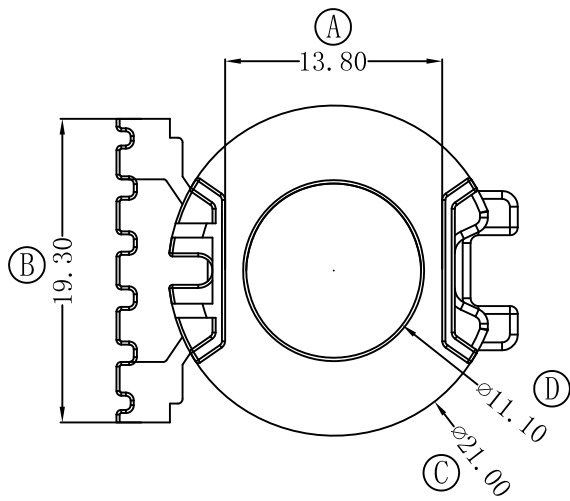
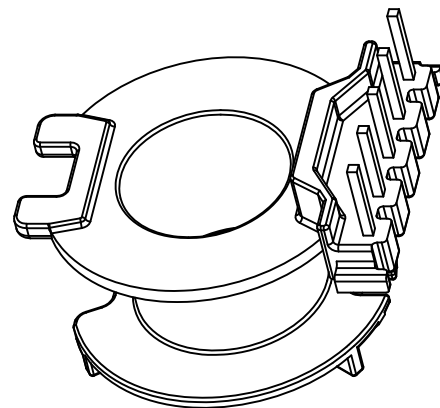
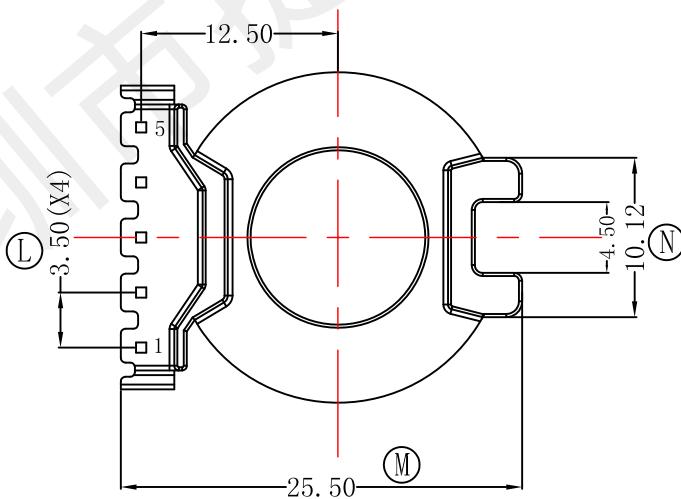
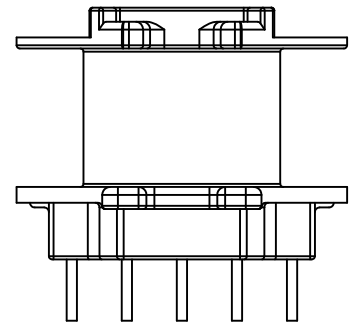
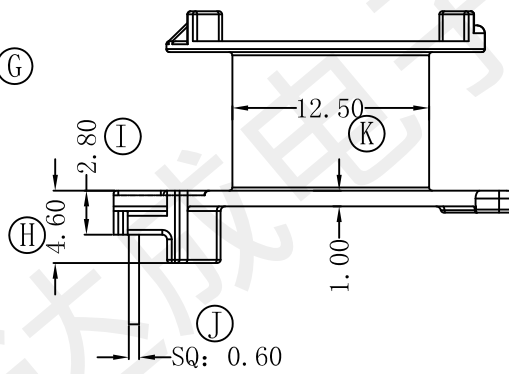
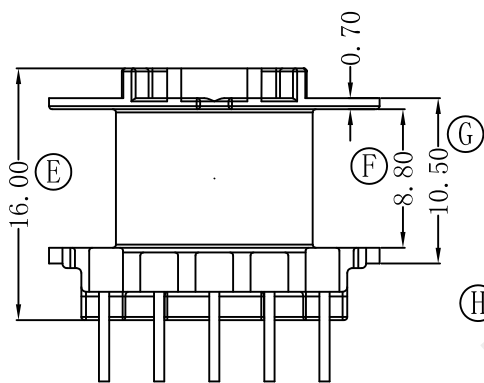
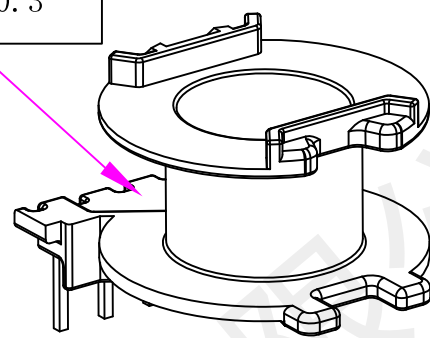


型号

RM-1024



一: 下凹0.3



REV	DATE	REVISIONS REC
1	19-11-1	PIN台上下凹0.3, 见第一标示处

深圳市捷达成电子有限公司

ANGLE:
+/-1°

MODEL NAME:
RM-1024 5PIN

SHENZHEN JIEDACHENG ELECTRONICS CO.,LTD.
TEL:0755-27317730 FAX:0755-27317731

UNIT:
MM

UL REC:
UL 94V-0

BOBBIN MATERIAL:
PM-9630

DRAFTER L.R.J

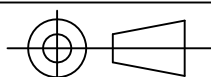
TOLERANCE
0<L<4 ±0.1
4<L<16 ±0.2
16<L<50 ±0.3
PIN PITCH ±0.2

SCALE:
4/1

PIN TENSION LOAD:
1.5KG MIN

PIN MATERIAL:
CP WIRE

CHECKER Y.F.



DATE:
2019-11-01

DRAWING NO:
RM-1024

REV:
1.0