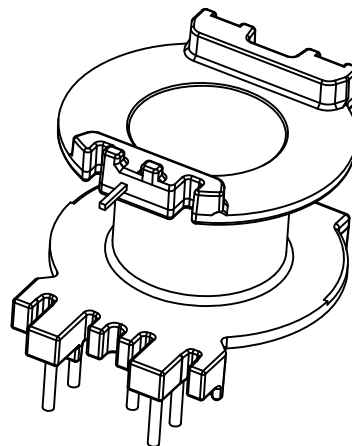
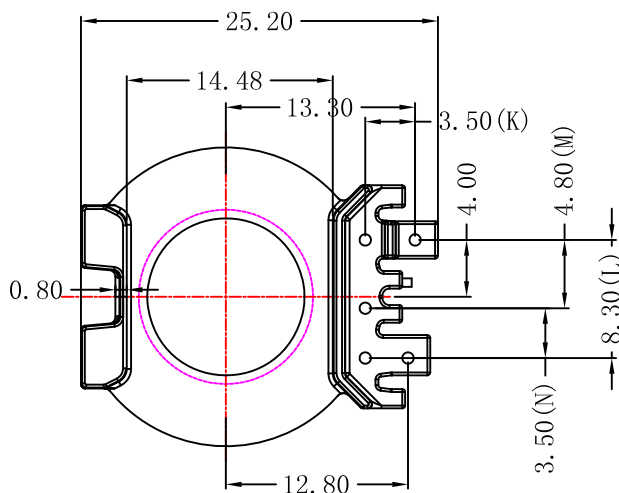
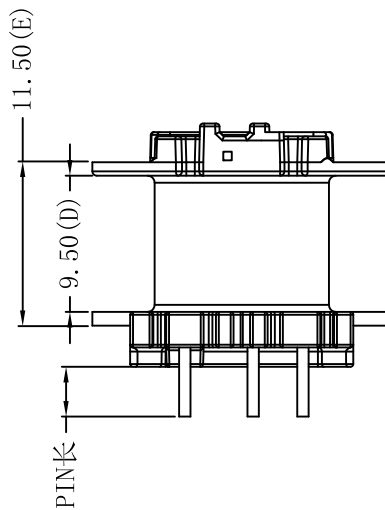
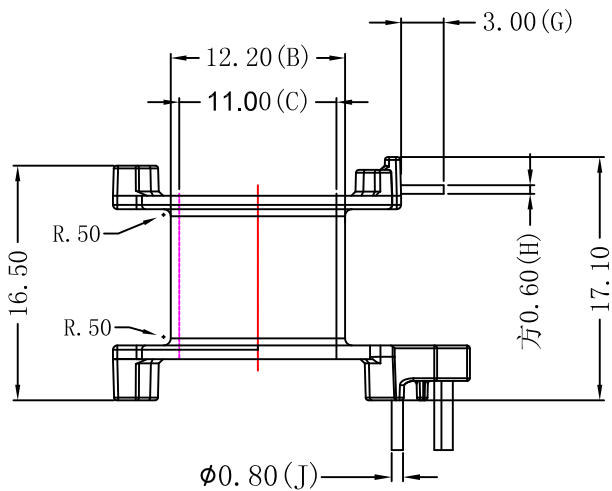
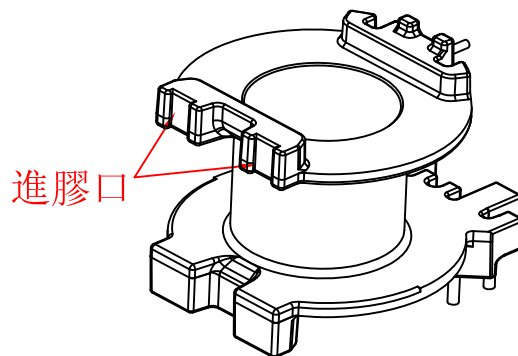
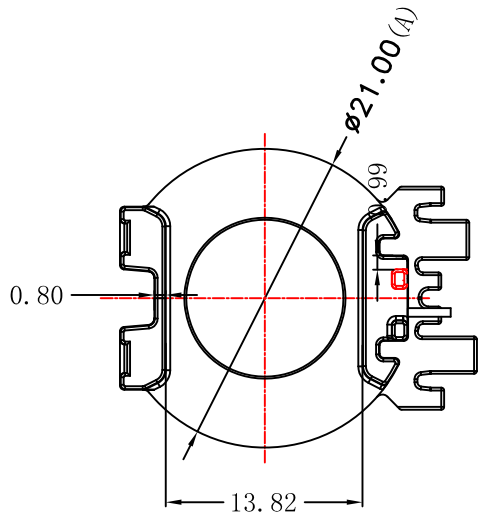


型号

RM-1018



REV	DATE	REVISIONS REC

深圳市捷达成电子有限公司

SHANZHEN JIEDACHENG ELECTRONICS CO.,LTD.

TEL:0755-27317730 FAX:0755-27317731

ANGLE:
+/-1°

MODEL NAME:
RM-1018 6PIN

UNIT:
MM

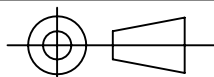
UL REC:
UL 94V-0

BOBBIN MATERIAL:
PM-9820

SCALE:
4/1/1

PIN TENSION LOAD:
1.5KG MIN

PIN MATERIAL:
CP WIRE



DATE:
2016-09-24

DRAWING NO:
RM-10

REV:
1.0

DRAFTER L.R.J

TOLERANCE
0<L<4 ±0.1
4<L<16 ±0.2
16<L<50 ±0.3
PIN PITCH ±0.2

CHECKER Y.F.