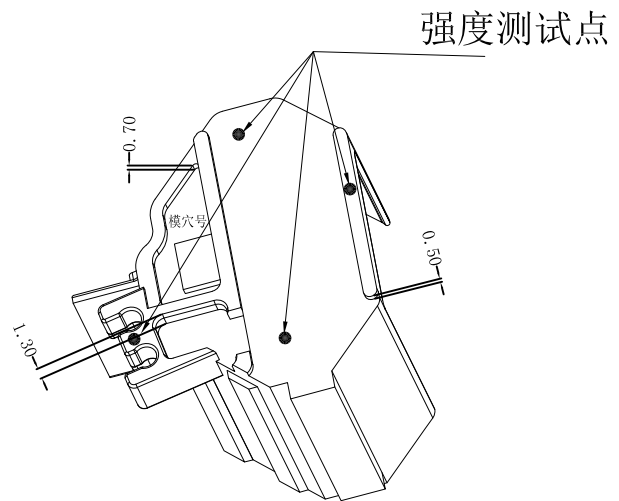
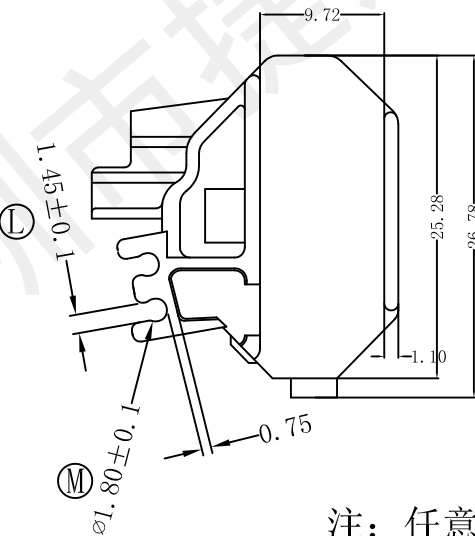
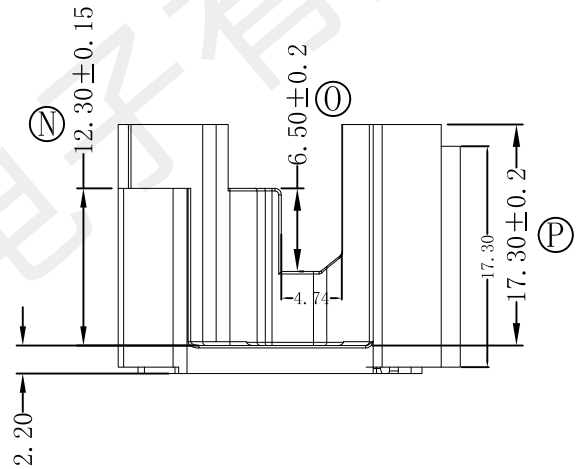
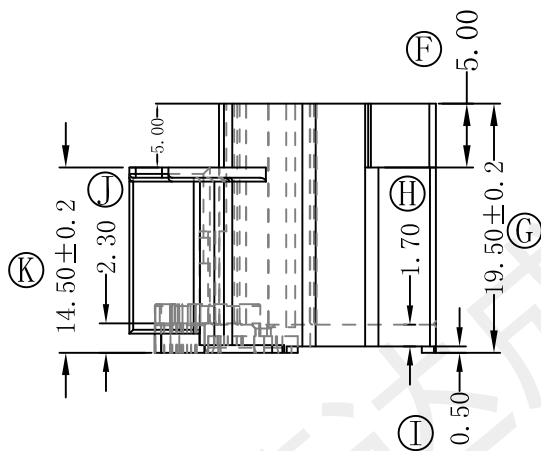
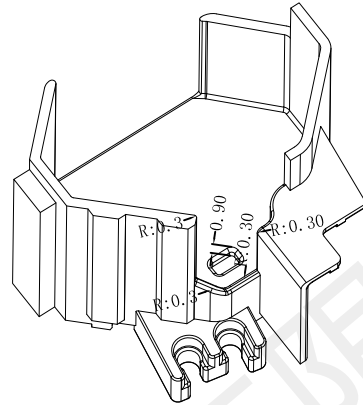
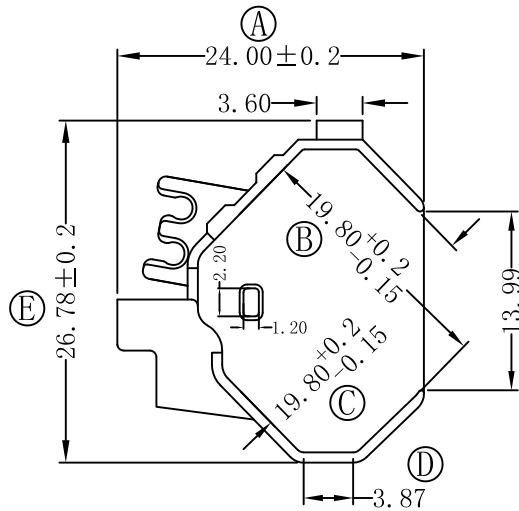


型号

RM-0820-2



注：任意强度测试点1.5KGMIN，
耐压要求：4KV 1.5Am 60s

| REV | DATE | REVISIONS REC |
|-----|------|---------------|
| | | |
| | | |
| | | |

深圳市捷达成电子有限公司

SHENZHEN JIEDACHENG ELECTRONICS CO.,LTD.
TEL:0755-27317730 FAX:0755-27317731

ANGLE:
+/-1°

MODEL NAME:
RM-0820-2 COVER

UNIT:
MM

UL REC:
UL 94V-0

BOBBIN MATERIAL:
PBT-5630F

DRAFTER L.R.J

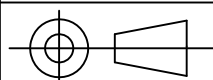
TOLERANCE
0<L<4 ±0.1
4<L<16 ±0.2
16<L<50 ±0.3
PIN PITCH ±0.2

SCALE:
4/1

PIN TENSION LOAD:

PIN MATERIAL:

CHECKER Y.F.



DATE:
2020-04-13

DRAWING NO:
RMB COVER

REV:
1.0