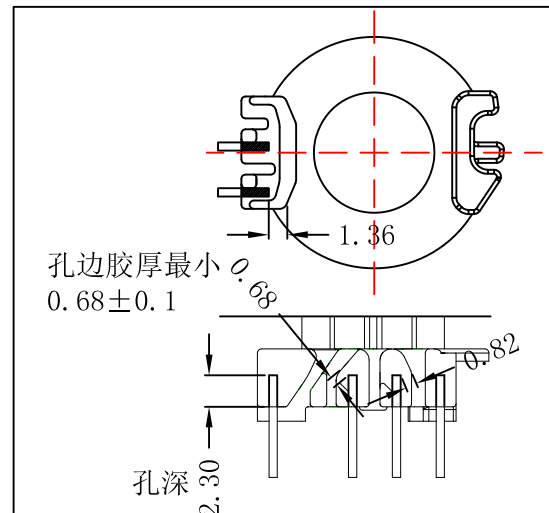
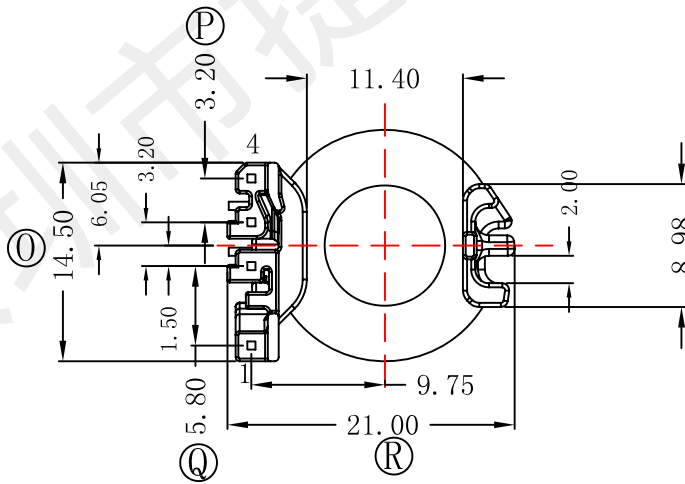
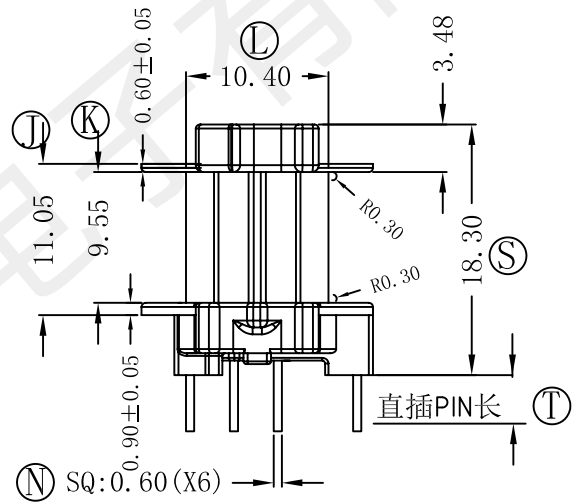
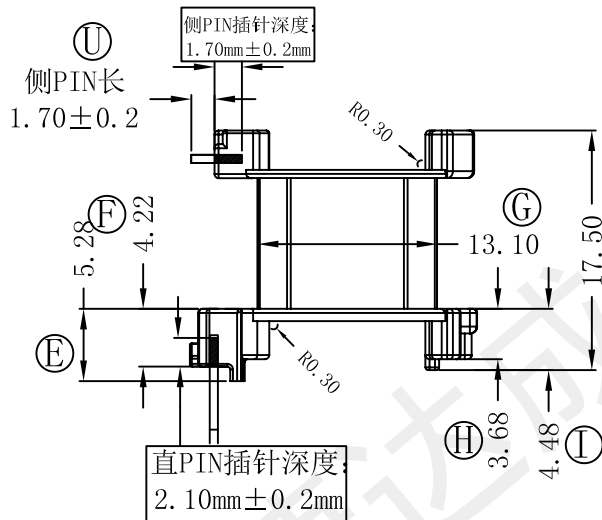
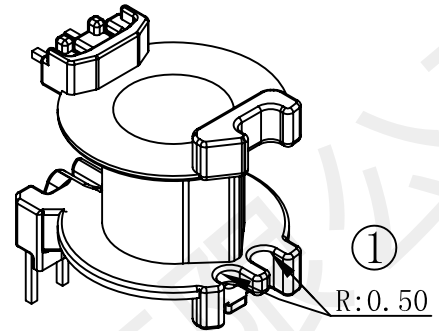
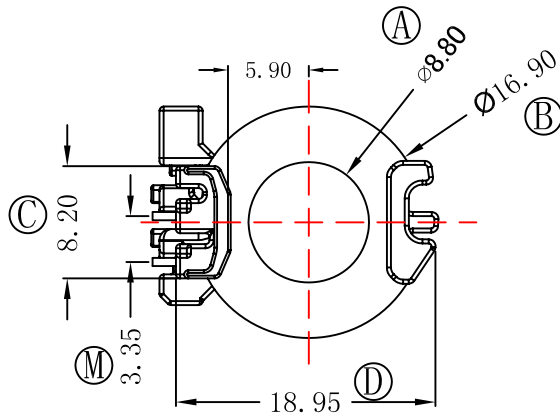


型号

RM-0819



REV	DATE	REVISIONS	REC

深圳市捷达成电子有限公司

SHANZHEN JIEDACHENG ELECTRONICS CO., LTD.  
TEL:0755-27317730 FAX:0755-27317731

ANGLE:  
+/-1°

MODEL NAME:  
RM-0819 4+2PIN

UNIT:  
MM

UL REC:  
UL 94V-0

BOBBIN MATERIAL:  
PM-9630

DRAFTER L.R.J

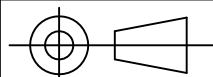
TOLERANCE  
0<L<4 ±0.1  
4<L<16 ±0.2  
16<L<50 ±0.3  
PIN PITCH ±0.2

SCALE:  
4/1

PIN TENSION LOAD:  
1.5KG MIN

PIN MATERIAL:  
CP WIRE

CHECKER Y.F.



DATE:  
2018-12-04

DRAWING NO:  
RM-8

REV:  
1.0