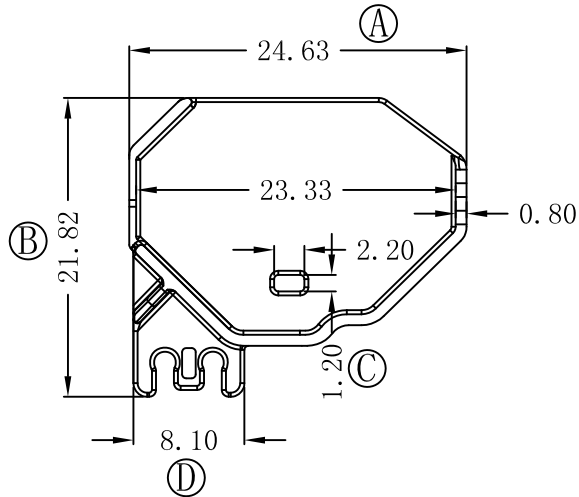
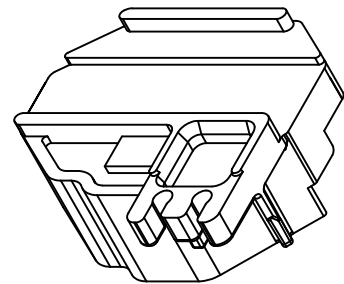
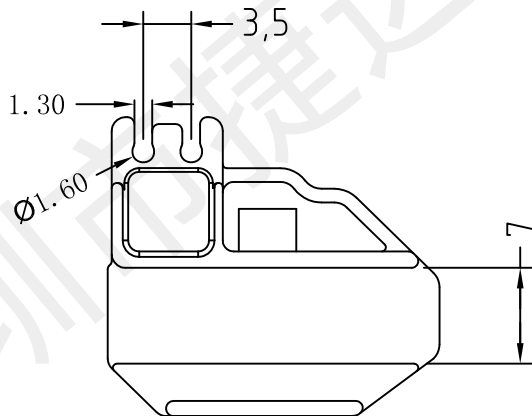
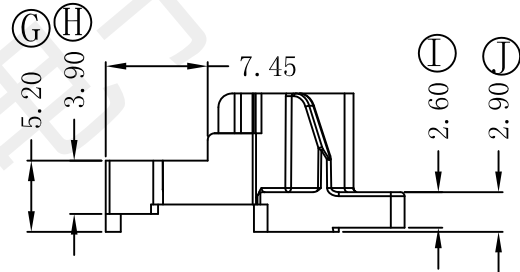
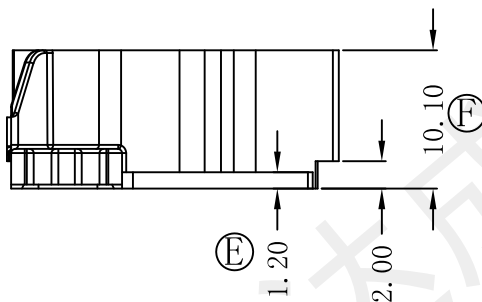
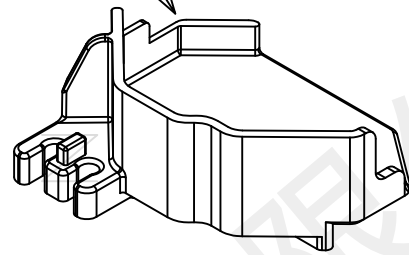


型号

RM-0816-4



①  
此处挡墙改矮2.0



REV	DATE	REVISIONS REC
1	20-9-11	图① 标示处修改

深圳市捷达成电子有限公司

SHANZHEN JIEDACHENG ELECTRONICS CO., LTD.

TEL: 0755-27317730 FAX: 0755-27317731

ANGLE:  
+/-1°

MODEL NAME:  
RM-0816-4 外壳

UNIT:  
MM

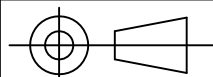
UL REC:  
UL 94V-0

BOBBIN MATERIAL:  
PBT-5630

SCALE:  
4/1

PIN TENSION LOAD:

PIN MATERIAL:



DATE:  
2020-09-11

DRAWING NO:  
RM-8(COVER)

REV:  
1.0

DRAFTER

L.R.J

TOLERANCE

0<L<4 ±0.1

4<L<16 ±0.2

16<L<50 ±0.3

PIN PITCH ±0.2

CHECKER

Y.F.