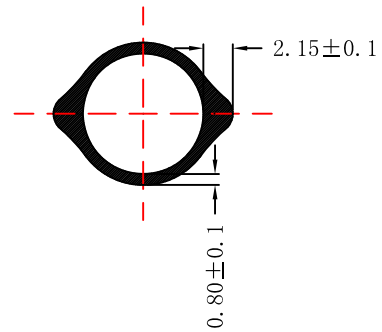
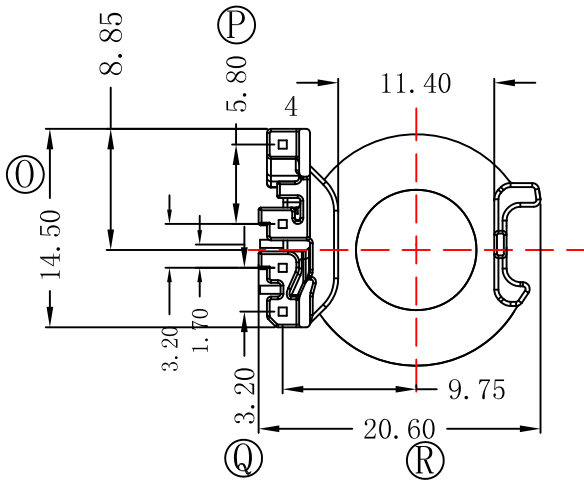
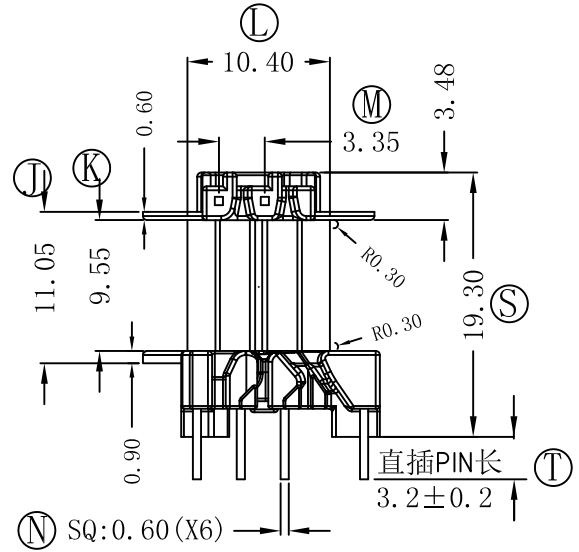
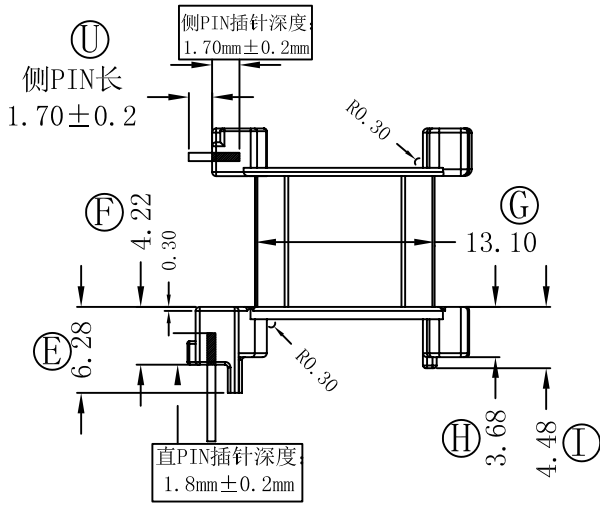
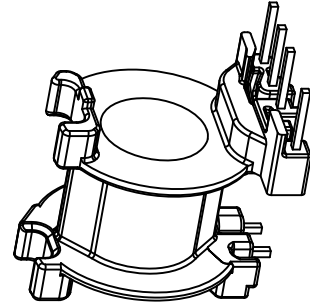
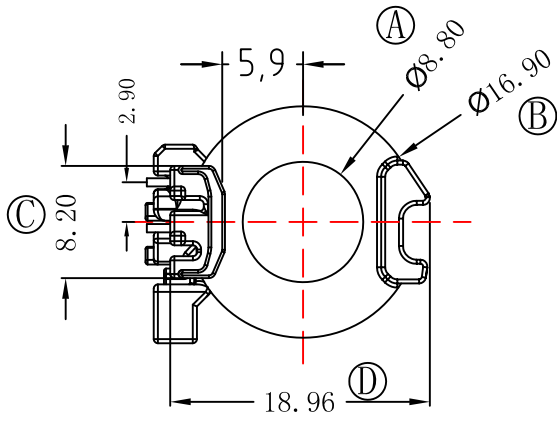


型号

RM-0816-3



REV	DATE	REVISIONS REC

深圳市捷达成电子有限公司

SHANZHEN JIEDACHENG ELECTRONICS CO.,LTD.

TEL:0755-27317730 FAX:0755-27317731

ANGLE:  
+/-1°

MODEL NAME:  
RM-0816-3 4+2PIN

UNIT:  
MM

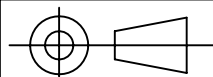
UL REC:  
UL 94V-0

BOBBIN MATERIAL:  
PM-9630

SCALE:  
4/1

PIN TENSION LOAD:  
1.5KG MIN

PIN MATERIAL:  
CP WIRE



DATE:  
2020-08-14

DRAWING NO:  
RM-8

REV:  
1.0

DRAFTER

L.R.J

TOLERANCE

0<L<4 ±0.1

4<L<16 ±0.2

16<L<50 ±0.3

PIN PITCH ±0.2

CHECKER

Y.F.