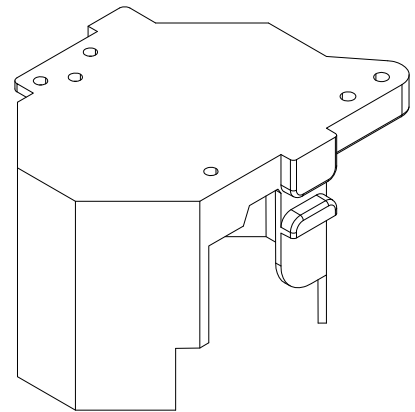
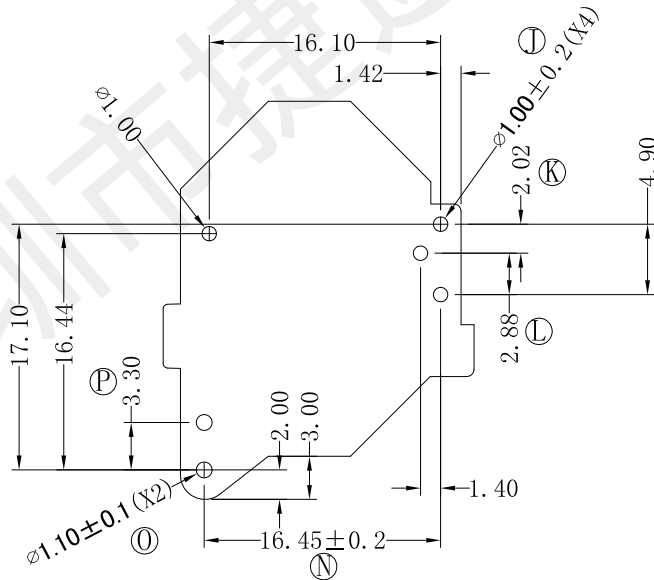
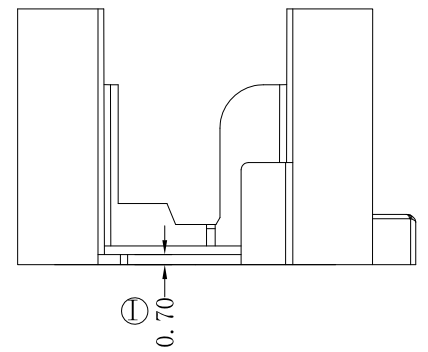
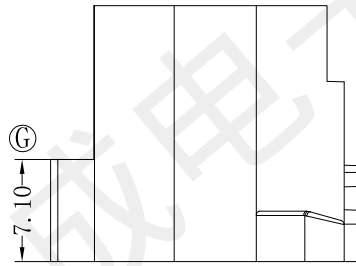
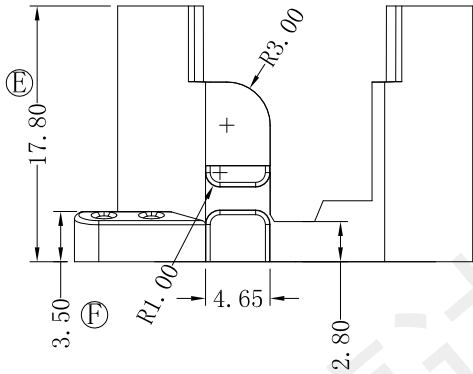
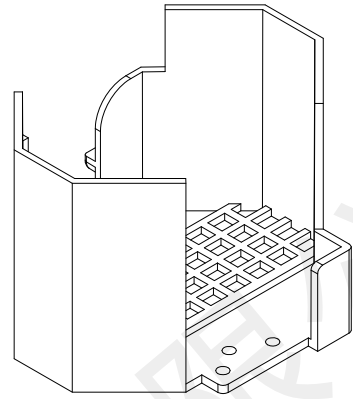
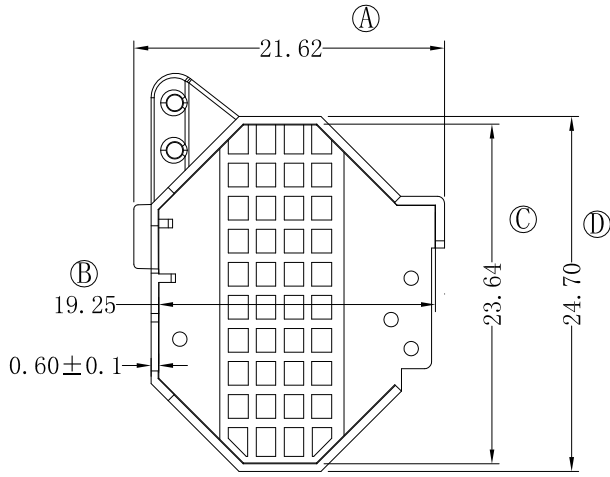


型号

RM-0815-1



REV	DATE	REVISIONS REC

深圳市捷达成电子有限公司

SHANZHEN JIEDACHENG ELECTRONICS CO., LTD.
TEL: 0755-27317730 FAX: 0755-27317731

ANGLE:
+/-1°

MODEL NAME:
RM-0815-1

UNIT:
MM

UL REC:
UL 94V-0

BOBBIN MATERIAL:
PBT

DRAFTER L.R.J

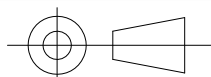
TOLERANCE
0<L<4 ±0.1
4<L<16 ±0.2
16<L<50 ±0.3
PIN PITCH ±0.2

SCALE:
4/1

PIN TENSION LOAD:

PIN MATERIAL:

CHECKER Y.F.



DATE:
2018-06-05

DRAWING NO:
RM-8

REV:
1.0