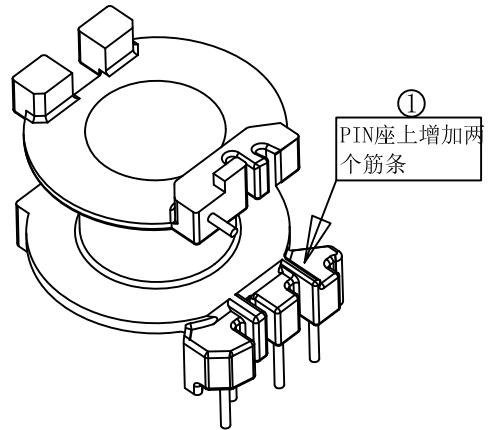
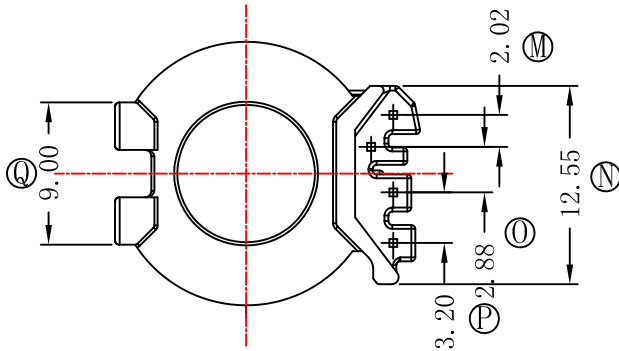
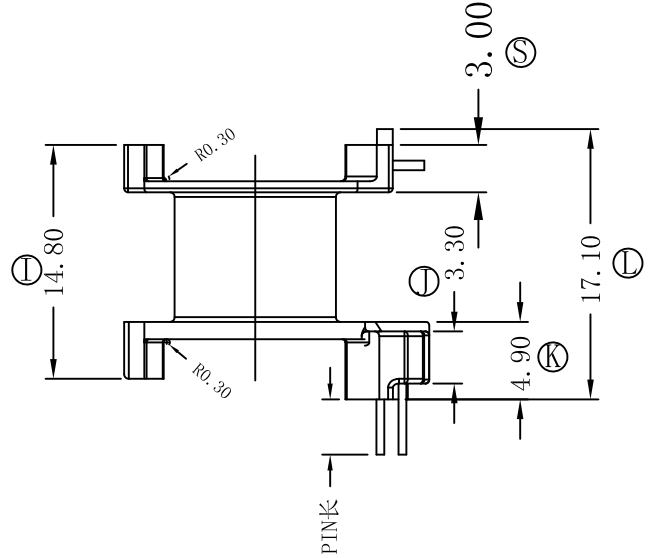
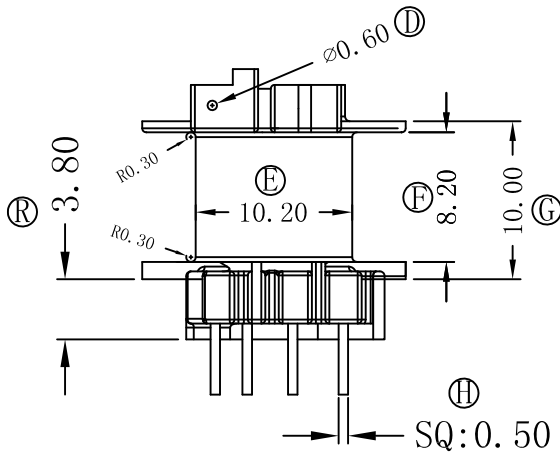
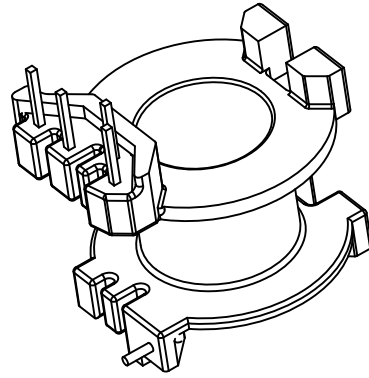
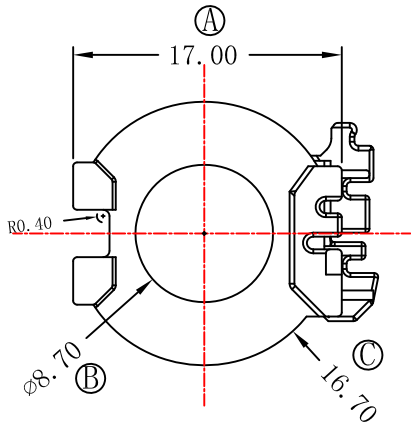


型号

RM-0814



注：未标注的R角为：0.30MM

REV	DATE	REVISIONS REC
1	17-1-18	图中第1标示处增加两个筋条

深圳市捷达成电子有限公司

SHANZHEN JIE DA CHENG ELECTRONICS CO., LTD.
TEL: 0755-27317730 FAX: 0755-27317731

ANGLE:
+/-1°

MODEL NAME:
RM-0814 5PIN

UNIT:
MM

UL REC:
UL 94V-0

BOBBIN MATERIAL:
PM-9820/23

DRAFTER L.R.J

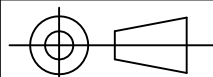
TOLERANCE
0<L<4 ±0.1
4<L<16 ±0.2
16<L<50 ±0.3
PIN PITCH ±0.2

SCALE:
4/1

PIN TENSION LOAD:
1.5KG MIN

PIN MATERIAL:
CP WIRE

CHECKER Y.F.



DATE:
2017-01-18

DRAWING NO:
RM-8

REV:
1.0