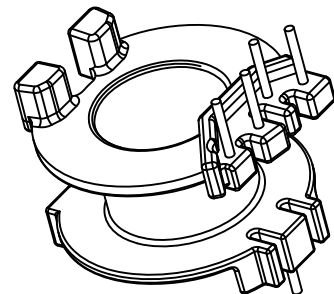
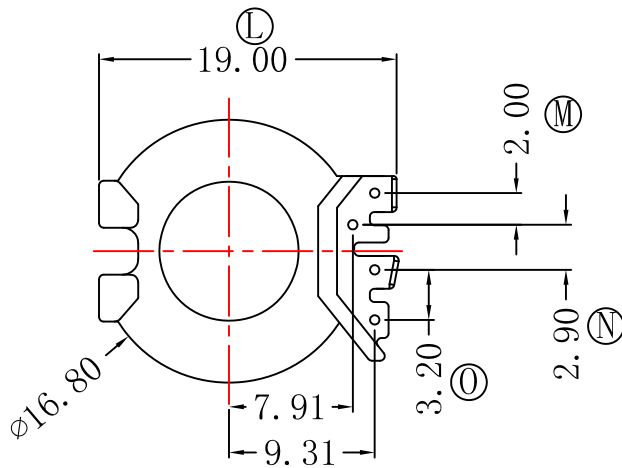
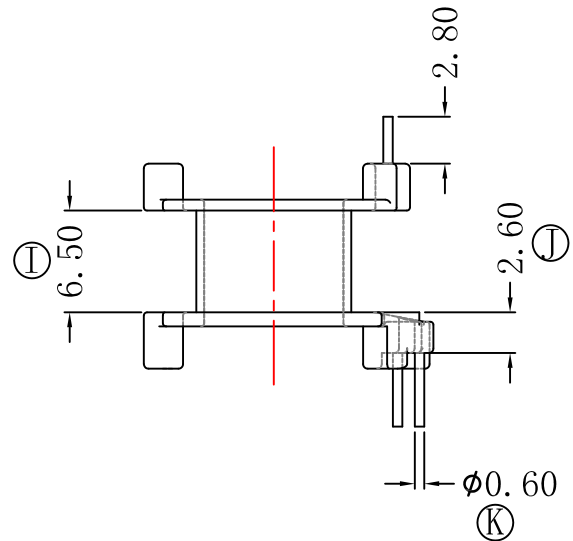
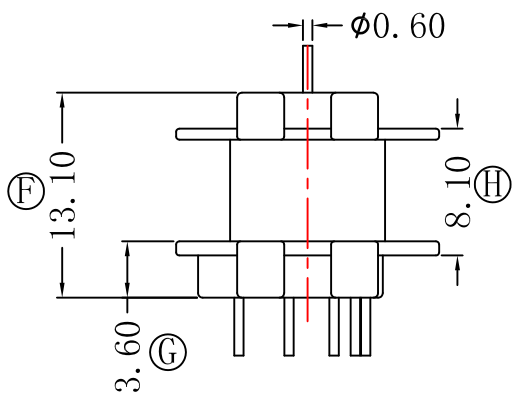
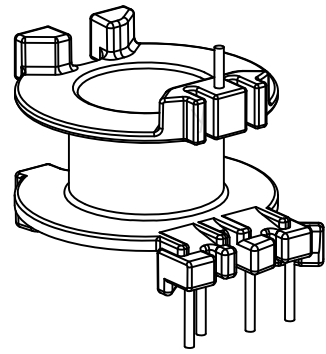
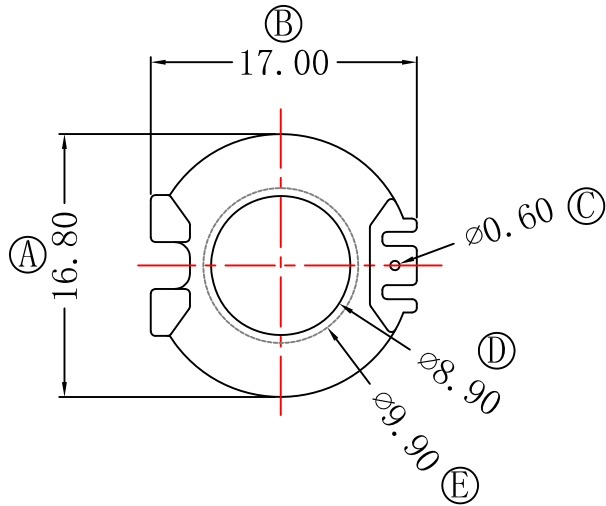


型号

RM-0811



REV	DATE	REVISIONS REC

深圳市捷达成电子有限公司

SHANZHEN JIE DA CHENG ELECTRONICS CO., LTD.  
TEL: 0755-27317730 FAX: 0755-27317731

ANGLE:  
+/-1°

MODEL NAME:  
RM-0811 5PIN

UNIT:  
MM

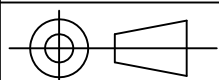
UL REC:  
UL 94V-0

BOBBIN MATERIAL:  
PHENOLIC

SCALE:  
4/1

PIN TENSION LOAD:  
1.0KG MIN

PIN MATERIAL:  
CP WIRE



DATE:  
2016-06-27

DRAWING NO:  
RM-8

REV:  
1.0

DRAFTER L.R.J

TOLERANCE

0<L<4 ±0.1  
4<L<16 ±0.2  
16<L<50 ±0.3  
PIN PITCH ±0.2

CHECKER Y.F.