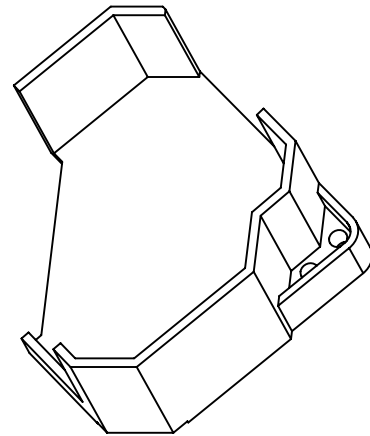
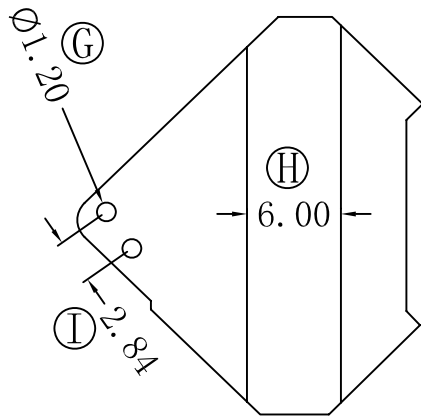
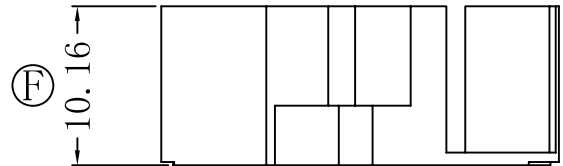
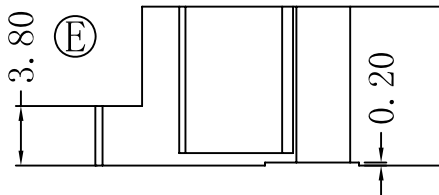
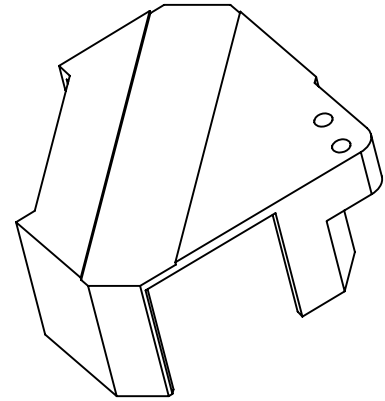
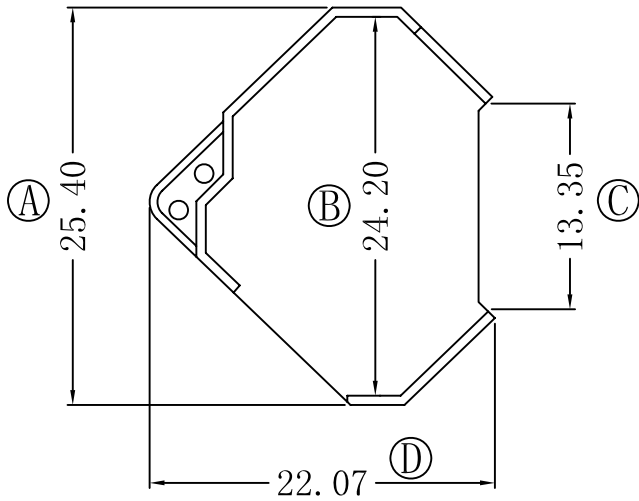


型号

RM-0811-1



REV	DATE	REVISIONS REC

深圳市捷达成电子有限公司

SHANZHEN JIE DA CHENG ELECTRONICS CO., LTD.

TEL: 0755-27317730 FAX: 0755-27317731

ANGLE:
+/-1°

MODEL NAME:
RM-0811-1 COVER

UNIT:
MM

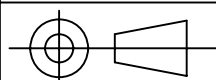
UL REC:
UL 94V-0

BOBBIN MATERIAL:
PBT

SCALE:
4/1

PIN TENSION LOAD:

PIN MATERIAL:



DATE:
2016-5-16

DRAWING NO:
RM-8 外壳

REV:
1.0

DRAFTER L.R.J

TOLERANCE

0<L<4 ±0.1

4<L<16 ±0.2

16<L<50 ±0.3

PIN PITCH ±0.2

CHECKER Y.F.