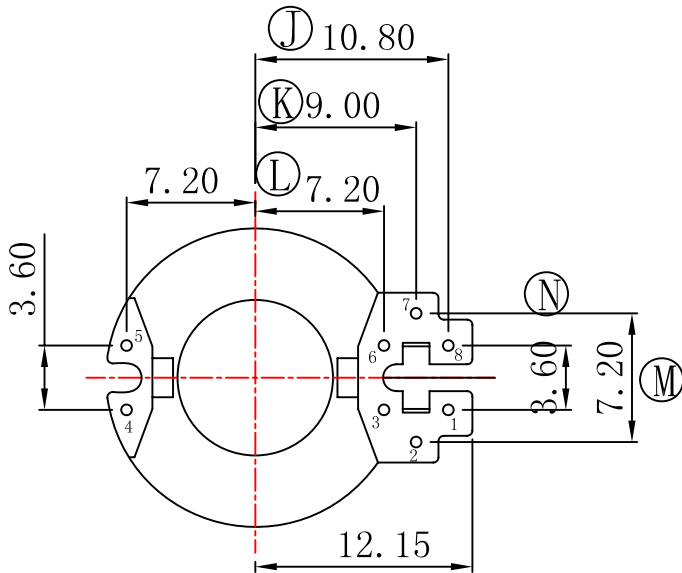
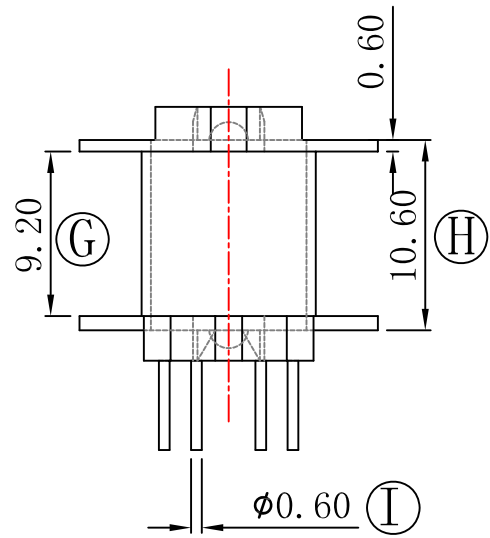
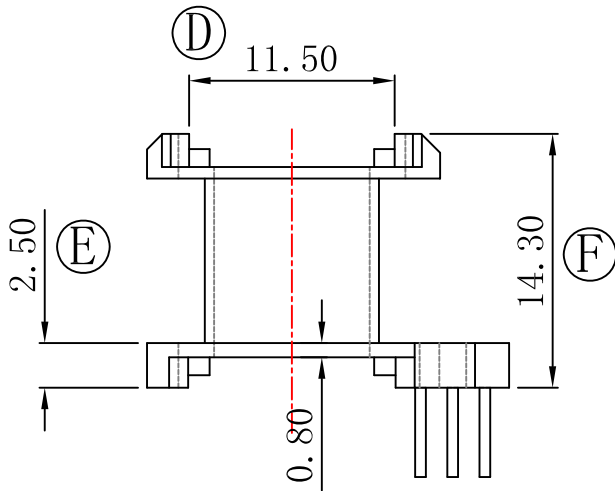
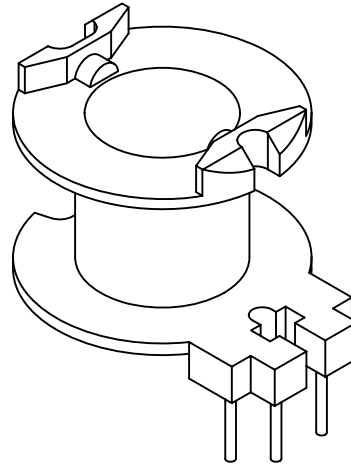
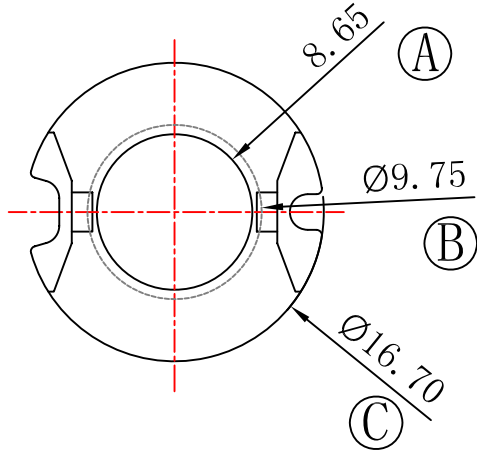


型号

RM-0808-1



REV	DATE	REVISIONS REC
1	14-3-30	过线槽加大

深圳市捷达成电子有限公司

SHENZHEN JIE DA CHENG ELECTRONICS CO.,LTD.

TEL:0755-27317730 FAX:0755-27317731

ANGLE:
+/-1°

MODEL NAME:
RM-0808-1 6+2PIN

UNIT:
MM

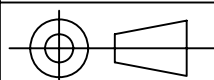
UL REC:
UL 94V-0

BOBBIN MATERIAL:
PM-9820

SCALE:
4/1

PIN TENSION LOAD:
0.6KG MIN

PIN MATERIAL:
CP WIRE



DATE:
2014-03-30

DRAWING NO:
RM-0808-1

REV:
1.0

DRAFTER L.R.J

TOLERANCE

0<L<4 ±0.1

4<L<16 ±0.2

16<L<50 ±0.3

PIN PITCH ±0.2

CHECKER Y.F.