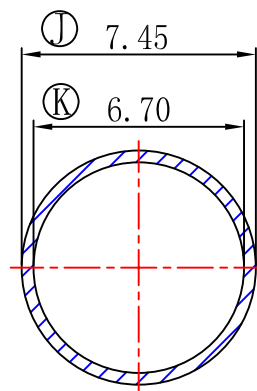
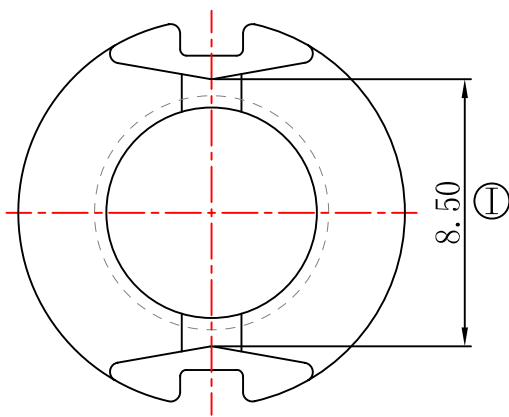
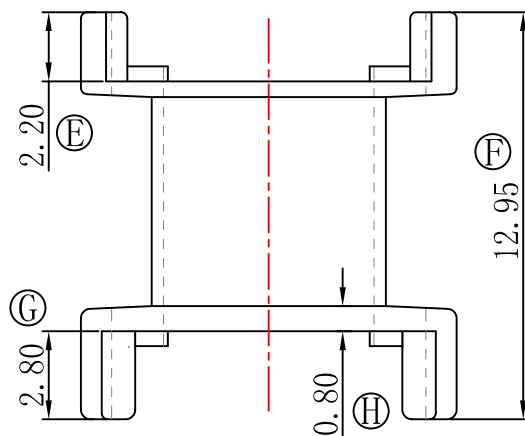
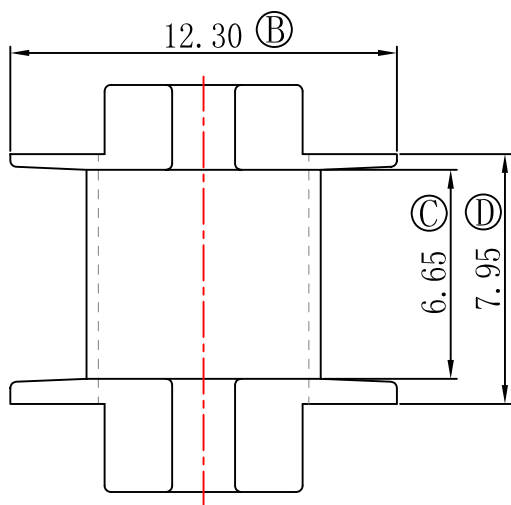
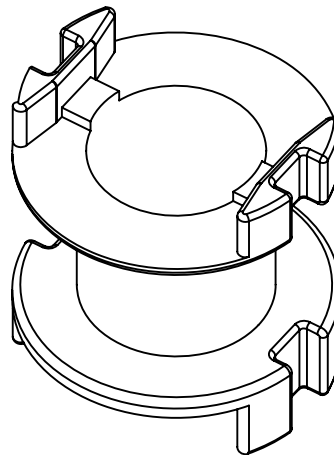
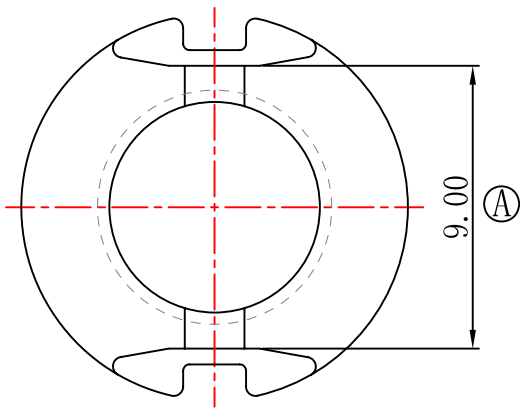


型号

RM-0606



REV	DATE	REVISIONS REC

深圳市捷达成电子有限公司

SHENZHEN JIE DA CHENG ELECTRONICS CO.,LTD.

TEL:0755-27317730 FAX:0755-27317731

ANGLE:  
+/-1°

MODEL NAME:  
RM-0606

UNIT:  
MM

UL REC:  
UL 94V-0

BOBBIN MATERIAL:  
PHENOLIC

DRAFTER  
L.R.J

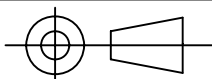
TOLERANCE

SCALE:  
4/1

PIN TENSION LOAD:  
PIN MATERIAL:

CHECKER  
Y.F.

0<L<4 ±0.1  
 4<L<16 ±0.2  
 16<L<50 ±0.3  
 PIN PITCH ±0.2



DATE:  
2014-12-01

DRAWING NO:  
RM-0606

REV:  
1.0